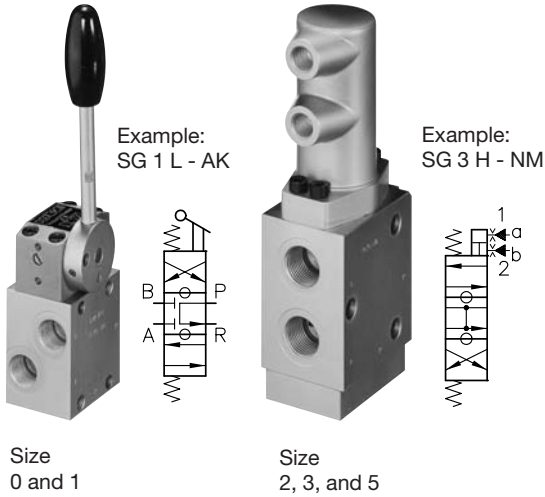


Directional spool valve type SG and SP

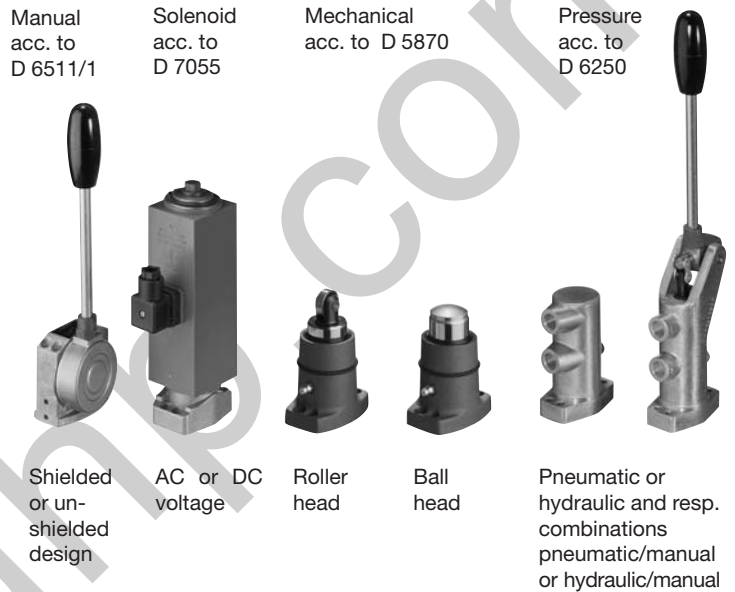
Versions for direct pipe connection or manifold mounting

Pressure p_{max} = 400 bar
 Flow Q_{max} = 100 lpm

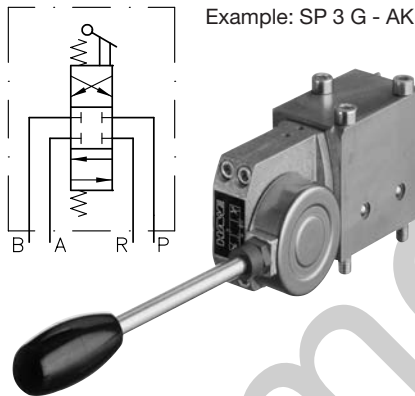
Version for pipe connection



Actuation modes (illustration represents size 3)



Version for manifold mounting



For brief description and main data, see table 4 in sect. 2.1!

1. General

Directional spool valves are generally employed in oil-hydraulic systems. They serve to control the oil flow and thus the direction of movement of the consumers (hydraulic cylinders and hydr. motors). These valves are designed for individual installation. They feature an internal leakage compensation, hence no leakage connection is required.

All valve versions are available either for:

- direct pipe connection or
- manifold mounting

Every directional spool valve consists of a control element (valve spool incl. housing) and a directly mounted actuation. The valve unit is manufactured entirely of steel, thus rendering the housing insensitive to pressure surges and leakage as can sometimes be observed after prolonged periods of use with cast housings. This is caused usually by hairline cracks which form and migrate externally, especially when the permissible pressure range has been fully utilized. Such phenomena are ruled out right from the start. The housing bores are diamond-honed. The hardened and ground valve spools are polished/deburred. This preserves their roundness and exact geometric shape (the control edges are not worn down or widened) ensuring even sealing gaps with a minimum leakage rate.

Cast material (zinc and aluminum die casting) is used solely for non-pressurized components e.g. actuation housing, spring dome, base plates, etc. There is also a version available where the housing of the manual actuation is made of spheroidal cast iron which is intended especially for rough operation conditions or when these valves are connected in series.

Tel: 02133988511

2. Available versions, main data

2.1 Type coding

Order examples: Version for pipe connection
Version for manifold mounting

SG 3 L 3E - AK - 120
SP 3 G - MD 23/24

Table 1: Basic type and size

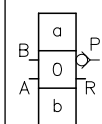
Coding	Connection design	Port size		Flow 1) Q _{max} (lpm)	Pressure p _{max} at ports A, B, P R	
		A, B, P	R		A, B, P	R
SG 0	Pipe mounting acc. to ISO 228/1 (BSP)	G 1/4	G 3/8	12	400	Dep. on actuation, see tab. 4 2)
SG 1		G 3/8		20	400	
SG 2		G 3/8		30	400	
SG 3		G 1/2		50	400	
SG 5		G 1		100	315	
SP 1	Manifold mounting	See dimensional drawings in sect.. 4 ++		12	400	
SP 3				50	400	
SP 5				100	315	

- 1) Recommended value; if the pump output flow is near the specified limits, the plunger side must be connected at A if differential cylinders are being used as consumers
- 2) In SP design with flow pattern for parallel connection depending on actuation, although not in excess of 100 bar
- 3) Standard material for models with pressure limiting valve
- 4) Normally only for special applications: Resistant to pressure surges up to 300 bar (pay attention to permissible pressures for actuations). For maritime versions, see D 6511/1
- 5) Port R must be connected to the tank as leakage drain
- 6) Not available for size 0 and 1
- 7) Without pressure limiting valve
- 8) Only available with manual actuation Y... acc. to D 6511/1 (detent, four switching positions)
- 9) Not available for SP.. manifold mounting
- 10) Not for size 5
- 11) Observe the position of the ports in the dimensional drawings, see also notes in sect. 3 ++
- 12) Version to the avoidance of decompression surges (only size 5), see sect. 2.2
- 13) Not available for type SG 5 with pressure limiting valve
- 14) Not available for type SG 0(1)

Table 2: Flow pattern symbols

Basic flow pattern symbols and switching positions Avail. for type SG..	Suited for parallel connection	G	C	D	E	N	W	R	V ⁵⁾	Q ^{5) 6)}	Z ^{6) 7)}	U ^{6) 7)}	B ^{7) 8) 9) 10)}
With pressure limiting valve Avail. for type SP..	Suited for series connection	L ¹³⁾ LS ¹²⁾¹³⁾	P ¹³⁾	F ¹³⁾ FS ¹²⁾¹³⁾	H	Y ^{7) 11)} 14)	S ¹³⁾ SS ¹²⁾¹³⁾	X ⁷⁾	K ^{6) 7) 8)} 9) 10)	Remarks on use: If several single valves are being used in a system, attention must be paid to the connection (parallel, series). In a series connection, the permissible system pressure = permissible pressure in the return! Hence, not all modes of actuation are suitable for a series connection (Sect. 4).			
		Overlap between two switching positions				None (neutral) Positive (intermediate blocked position) Negative (slight intermediate blocked position)							

Check valve insert type ER 21 optionally available for type SP 1:



The check valve type ER 21 must be ordered separately. The Check valve insert type ER 21 acc. to D 7325 may be installed in port P, when required. This is advantageous when several directional spool valve sections (flow pattern symbols D, E, G, N, R, V, and W) are connected in parallel and situations might occur where two valve sections are actuated subsequently but simultaneous. Thereby preventing a pressure drop of the first actuated consumer.

For actuation mode, see table 4
Desired pressure setting (bar) for the pressure limiting valve

Table 3: Optional pressure limiting valve (only type SG)

Basic type	Spring housing made of				Pressure range (bar)
	Zinc die casting ³⁾	Steel ⁴⁾	perm. pressure at R > 20 bar		
	tool ad-justable	manu. adjust.	tool ad-justable	manu. adjust.	
SG 0	1B	2B	---	---	(0) ... 400
SG 1	1C	2C	---	---	(0) ... 315
	1E	2E	---	---	(0) ... 160
SG 2	3B	4B	6B	7B	145 ... 400
SG 3	3C	4C	6C	7C	80 ... 315
SG 5	3E	4E	6E	7E	25 ... 160

Coding is omitted for versions without pressure limiting valve!

Essential note:

Permissible pressure at R depends on the spring housing material (see above). Connection R must always be the return, any pressure at R adds itself to the pressure setting. Do not use for series connections. In parallel connections, only equip one valve with a pressure limiting valve.

Attention: Pressure limiting valves are not available for all flow pattern symbols (see table 2).

Table 4: Actuation modes (Selection table, for more detailed information refer to the corresponding pamphlets)

Actuation	Coding				Pressure P _{max} (bar) at ports A, B, P R 1)		Notes, remarks	Symbols	
Manual (spring return/detent) acc. to D 6511/1	Size	With spring return 0 and 1	2, 3 and 5	With detent 0 and 1	2, 3 and 5		AD, CD: (zinc die cast.) for normal conventional use. Only for parallel connection! AK, CK: (spheroidal cast iron) for especially rough use. Suited for series connection BX: Sturdy but not shielded design; only for parallel connection; corrosion-protected by galvanized and nitrided components	A C AD CD AK CK BX	
	Shielded design	A	AD	C	CD	400			50 (20)
		AK(S)	AK(S)	CK(S)	CK(S)	400			315 (20)
	Unshielded design	---	BX 2)	---	---	400			50 (20)
The manual actuation is also available without hand lever (add coding 1, e.g. A 1, CK 1 etc.)									
Solenoid acc. to D 7055	Voltage U _N								
			12	24	110 W	230 W			
			12 V DC	24 V DC	110 V AC	230 V AC			
			50 and 60 Hz						
	Size 0 and 1	ME 1	12 V DC				200	200 (20)	Also available with emergency manual actuation. Suffix code N: MD2/... N, etc. CAUTION: Permis. pressure at R only approx. 40 bar during use. Pay attention to the special note for actuating emergency manual operation as explained in pamphlet 7055
		ME 2	24 V DC						
		ME 81	110 V AC	Single stroke					
		ME 8	230 V AC	50/60 Hz		Output 45 W			
		MD 1	12 V DC			100% ED			
		MD 2	24 V DC						
MD 81		110 V AC	Double stroke						
MD 8	230 sV AC	50/60 Hz							
Size 2 and 3	ME 2/...	Single stroke		Output 60W	200	200			
	MD 2/...	Double stroke		100% operating factor					
	MU 2/...	Reverse stroke							
	ME 23/...	Single stroke	Output 150 W						
MD 23/...	Double stroke	S3-35% ED		5 min					
MU 23/...	Reverse stroke								
Size 2, 3, and 5	ME 3/...	Single stroke		Output 65 W	200 (size 5)	200			
	MD 3/...	Double stroke		100% ED					
	MU 3/...	Reverse stroke							
Mechanical acc. to D 5870	Size 0 ... 5	Roller head	RE	Single stroke		400	100 (20)	Only for parallel connection ! In case of double stroke, idle pos. is determined by cam. 	
			RD	Double stroke					
	Size 2, 3 and 5	Ball head	BE	Single stroke					
			BD	Double stroke					
Pressure acc. to D 6250	Size 0 and 1	Standard design	Air or oil	NE	Single stroke	400	40 (20)	Only for parallel connection ! NE, ND and NU: also available with emergency manual operation, add coding H: NDH etc. Pressure-relieved version (D 6250) can be subjected to pressures up to 200 bar in the return	
				ND	Double stroke				
Control medium air or oil	Size 2, 3, and 5	Standard design	air	NE	Single stroke	400	30		
				ND	Double stroke				
				NU	Reverse stroke				
		oil	NM	Single stroke and Double stroke					
Double stroke			hand/air	KD	Double stroke	400	12	Only for parallel connection !	
			hand/oil	KM	Double stroke				

1) For versions fitted with a pressure limiting valve, observe table 3, the lower pressure applies. Furthermore, not more than 100 bar in SP

2) Not for size 5

2.2 Additional parameters and notes

Design	Spool-type directional control valve
Mounting	Type SG: See unit dimensions in sect. 3.1 Type SP: Onto manifold
Pipe connection	Tapped ports conforming ISO 228/1 (BSPP) Suited for male fittings, shape B acc. to DIN 3852 P = Pump port A, B = Consumer ports R = Return port (pressure resistance dep. on the actuation, see also table 4)
Installed position	Any
Flow direction	According to symbol but also reverse, pay attention to permissible pressure at R
Operation pressure	$p_{max} = 400$ bar, dep. on size and actuation
Static overload capacity	approx. $2 \times p_{max}$
Pressure adjustment of the pressure limiting valve	Pressure range

	SG 0(1)	SG 2(3)	SG 5
	Δp (bar) per 1 rev.		
B	100	80	80
C	55	35	35
E	19	17.5	17.5

Mass (weight) approx. kg

Type	Pressure limiting valve	Complete incl. actuation											
		Manual			Solenoid						Mechanical	Pressure	
		AD	AK	BX	ME..	MD.. MU..	ME 2/.. ME 23/..	MD(U) 2/.. MD(U) 23/..	ME 3/..	MD 3/.. MU 3/..		Standard actuation	Combined actuation
SG 0(1) SP 1	without	1.0	1.0	---	1.4	1.7	---	---	---	---	1.1	0.9	---
	with	1.2	1.2	---	1.6	1.9	---	---	---	---	1.3	1.1	---
SG 2(3) SP 3	without	3.0	3.5	2.5	---	---	3.9	5.0	4.5	4.8	2.7	2.5	2.9
	with	3.3	3.8	2.8	---	---	4.2	5.3	4.8	5.0	3.0	2.8	3.2
SG 5	without	3.4	3.9	2.9	---	---	4.3	5.4	4.9	5.1	3.1	2.9	3.3
	with	4.7	5.2	---	---	---	5.6	6.7	6.2	7.0	4.4	4.2	4.6
SP 5	without	4.3	4.8	---	---	---	5.2	6.3	5.8	6.6	4.0	3.8	4.2

Pressure fluid Hydraulic oil conf. DIN 51524 part 1 to 3: ISO VG 10 to 68 conf. DIN 51519
Viscosity limits: min. approx. 4, max. approx. 1500 mm²/s
Optimal operation: approx. 10 ... 500 mm²/s
Also suitable for biological degradable pressure fluids types HEPG (Polyalkylenglycol) and HEES (Synth. Ester) at service temperatures up to approx. +70 °C

Temperature range Ambient: approx. -40 ... +80 °C
Fluid: -25 ... +80°C, Note the viscosity range
Permissible temperature during start: -40°C (observe start-viscosity!), as long as the service temperature is at least 20K higher for the following operation
Biological degradable pressure fluids: Observe manufacturer's specifications. Considering the compatibility with seal material not over +70 °C.
Attention: Observe the restrictions regarding the permissible operation duration of the actuation solenoids, see sect. 3.1 in D 7055!

Notes for flow pattern symbols LS, FS, and SS:

Directional spool valves to the avoidance of decompression surges (only available for type SG 5!)

It is common practice in the shipbuilding industry to utilize directional spool valves with big sized ports (even for very low flows) to minimize the back pressure within the usually very lengthy pipe system. Such high in-pipe volume usually cause pressure surges being very strainous for the complete hydraulic equipment. The directional spool valves versions type SG 5 ... S feature valve spools with long notches which cause a rather smooth pressure built-up during switching operations, thus minimizing such pressure surges. The big-port design (G 1) enables use of pipes $\varnothing 25$ with accordingly low back pressure.
Technical data: All technical data and dimensions are like with the standard version, beside the Δp -Q curve.

$\Delta p - Q$ - characteristics

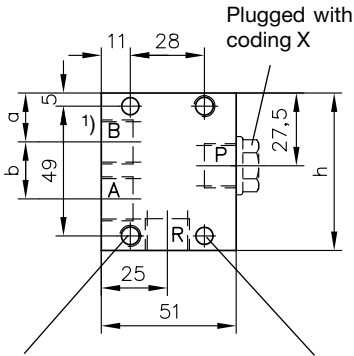
The flow resistance values (recommended values) are understood without pipe fittings (SG) and without manifold (SP)

Type	Valves for parallel connections	Valves for series connections	Note
SG 0 SG 1 SP 1			<p>Double-acting consumers with unequal area ratios (differential cyl.): The return flow Q_{return} may be lower or higher than the inlet flow Q_{inlet} (pump delivery flow) depending on the direction of movement. The flow resistance Δp_{total} of the directional spool valve must always be related to the inlet side (connection P) :</p> $\Delta p_{total} = \Delta p_{in} + \Delta p_{out} \frac{A_{out}}{A_{in}}$
SG 2			<p>Directional spool valves for parallel connection: The cylinder port of the piston side (larger surface) should always be connected to port A.</p>
SG 3 SP 3			$Q_{return} = Q_{in} \frac{A_{out}}{A_{in}}$
SG 5 SP 5			<p>Fluid viscosity during tests approx.. 60 mm²/s</p>

3. Dimensions All dimensions in mm, subject to change without notice!

3.1 Directional spool valves for direct pipe connection (For actuations, see sect. 3.3, on page 8 ++)

Type SG 0 and SG 1



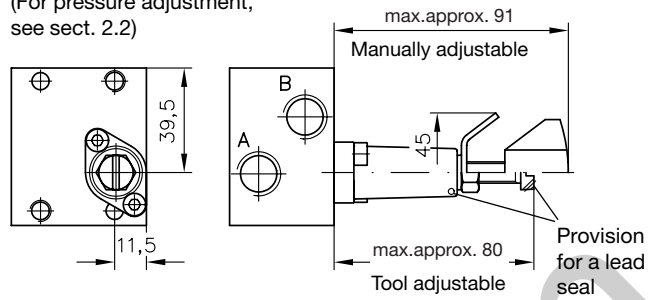
M 8, 10 deep, core bore $\varnothing 6.5$ is a thru-hole

M 8, 10 deep (rear side), core bore $\varnothing 6.5$ is a thru-hole

1) Port B is omitted with coding N, S, and R

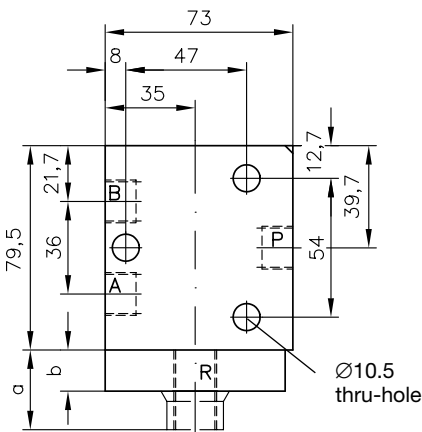
Version with pressure limiting valve

(For pressure adjustment, see sect. 2.2)



Size	Coding	Ports ISO 228/1 (BSPP)						P, A, and B	R
		a	b	c	d	h			
0	D, E, G, W, N, R	17.5	20.5	9.5	20.5	59.5	G 1/4	G 3/8	
	F, H, L, P, V, S, X	21.5	12	9.5	20.5	59.5	G 1/4	G 3/8	
1	Y	18.5	21.5	11	17.5	70	G 3/8	G 3/8	
	Other codings	18.5	21.5	11	17.5	59.5	G 3/8	G 3/8	

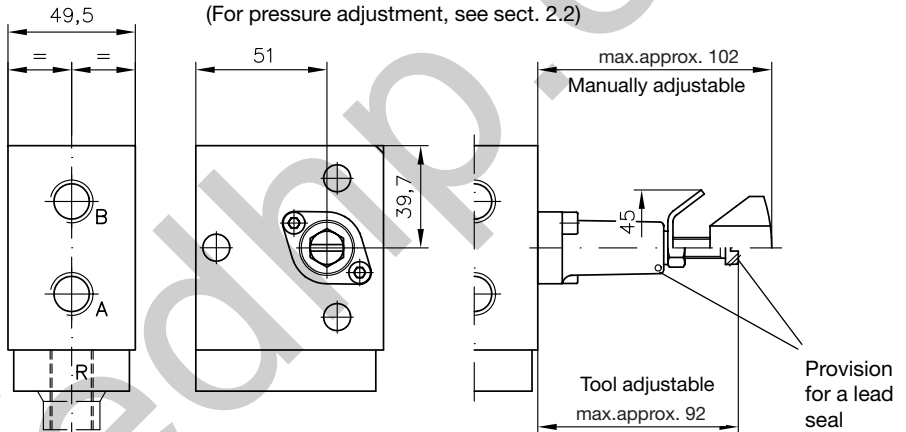
Type SG 2 and SG 3²⁾



Dimension a = 30 for coding B, C, K, Y
Dimension b = 11 for coding U
16 for other codings

Version with pressure limiting valve

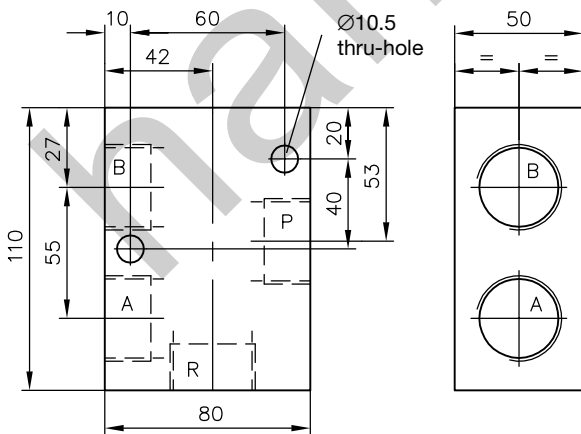
(For pressure adjustment, see sect. 2.2)



Pay attention to the differing dimensions of the base plate for the pressure compensated version with pressure actuation (see D 6250).

Ports ISO 228/1 (BSPP):
P, R, A, B = G 3/8 (SG 2)
G 1/2 (SG 3)

Type SG 5²⁾

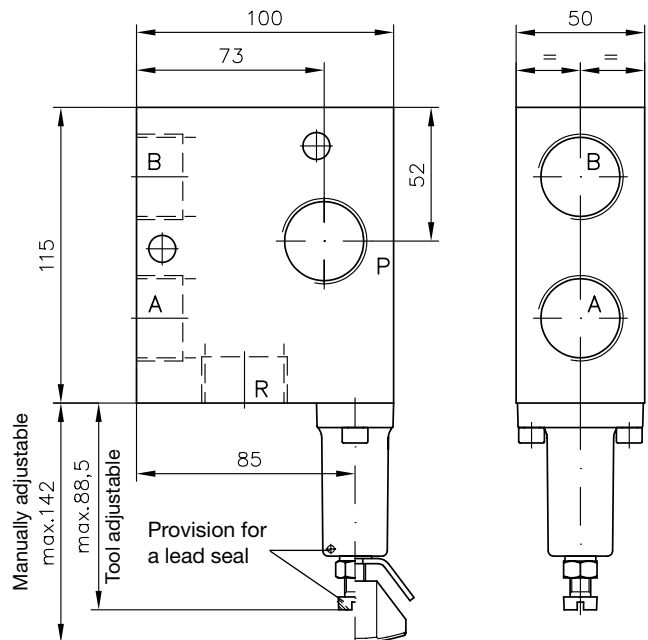


Ports ISO 228/1 (BSPP):
P, R, A, B = G 1

2) Port B is omitted with coding N, S, R, U, and X.
Ports P and A are mixed up with coding Y.
Port A is stamped R with coding U

Version with pressure limiting valve

(For pressure adjustment, see sect. 2.2)



Tel: 02133988511

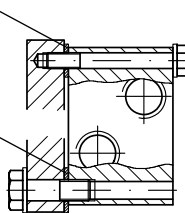
Important notes (for SG valves, all sizes)

Washers must be installed between valve and mounting area to prevent warping of the valve housing in case of uneven mounting surfaces.

Type SG 0 and SG 1

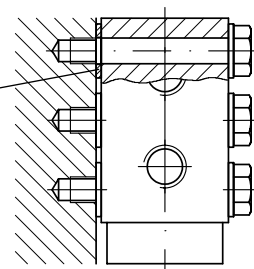
Washer ISO 7089/7090-6.4-140 HV-A2K

Washer ISO 7089/7090-8.4-140 HV-A2K



Type SG 3 and SG 5

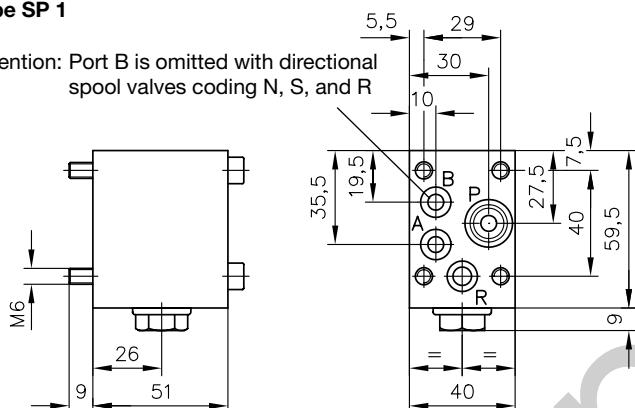
Washer ISO 7089/7090-10.4-140-HV-A2K



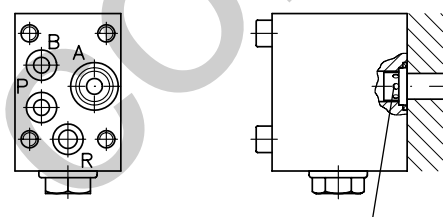
3.2 Directional spool valve for manifold mounting (For actuations, see sect. 3.3 on page 8 ++)

Type SP 1

Attention: Port B is omitted with directional spool valves coding N, S, and R



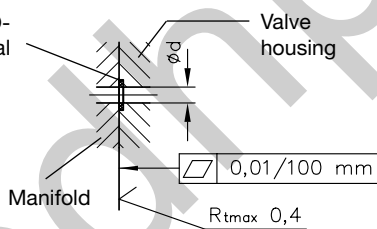
Position of the ports with coding Y



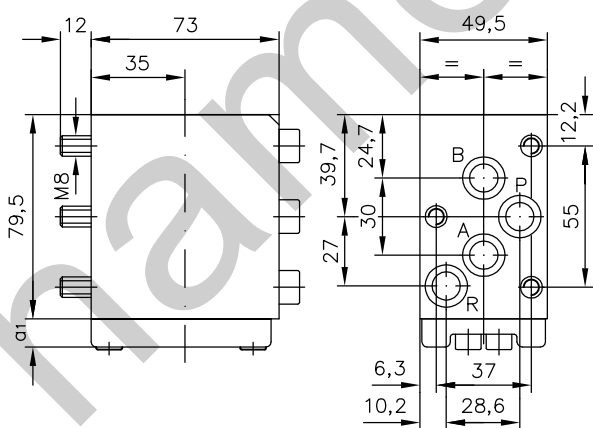
Check valve insert type ER 21 (not available with coding Y, see also sect 2.1, table 2).

Sealing of ports A, B, P, and R via O-rings NBR 90 Sh. (There is also a seal kit available, order No. DS 5650/1-1)

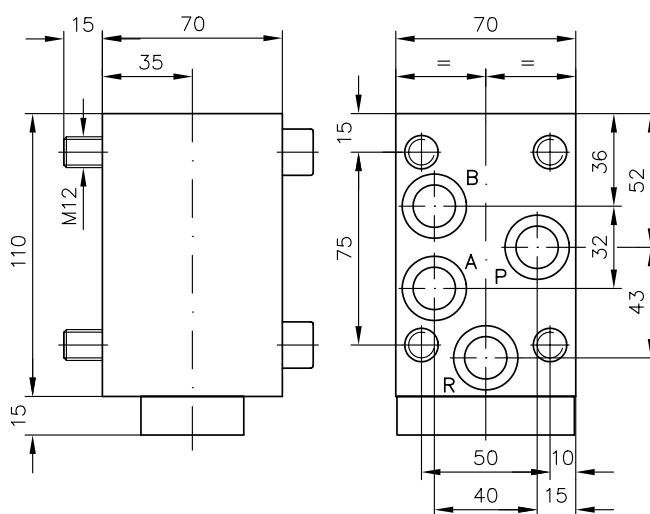
Ports	A, B, R	P
Ød	7	7 to 9
O-ring	8x2	14x2



Type SP 3 1)



Type SP 5 1)

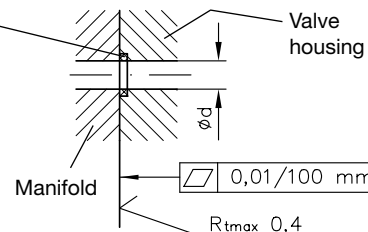


Dimensions a1
 = 11 with coding D, E, G, N, R, U, V, W, X and Z
 = 15 with coding C, F, L, P, S, H

Sealing of ports A, B, P, and R via O-rings NBR 90 Sh. (There is also a seal kit available, order No.)

Type	Ød	O-ring	Order No.
SP 3	11	12x2.5	DS 5650/1-3
SP 5	16.5	20x2.5	DS 5650/1-5

1) Port B is missing with coding N, S, R, U, and X. Ports A and R can be used alternatively as return with coding U



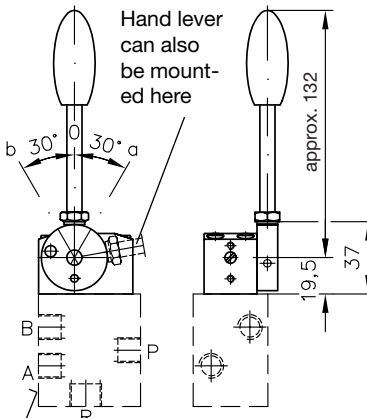
Tel: 02133988511

3.3 Actuation modes, orientation and main data

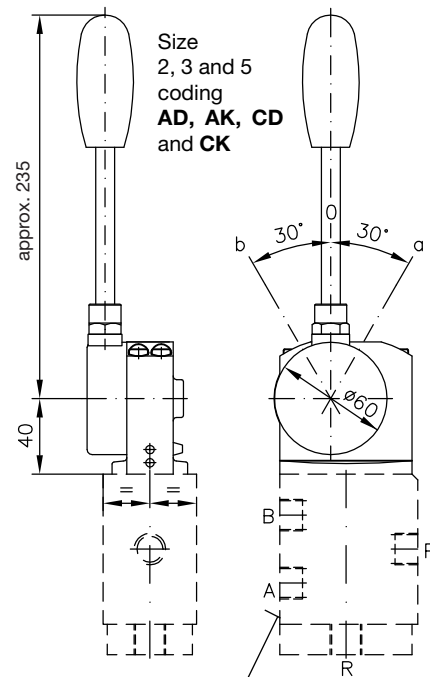
For missing specifications, see respective pamphlets!

Manual actuation

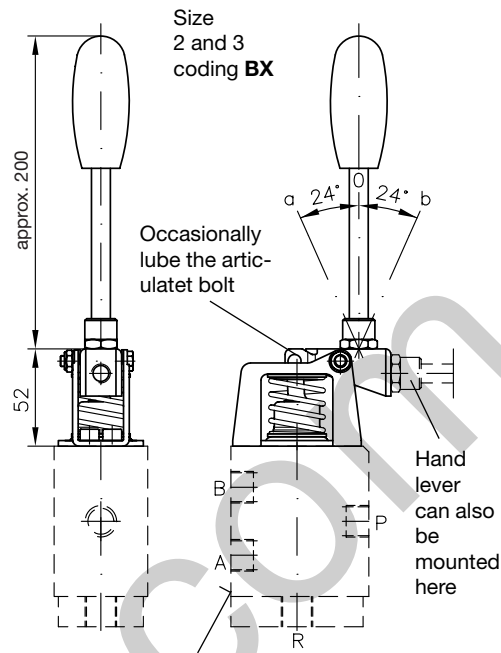
Size 0 and 1 coding **A, AK, C and CK**



Flange (mounting) area with directional spool valve type SP 1

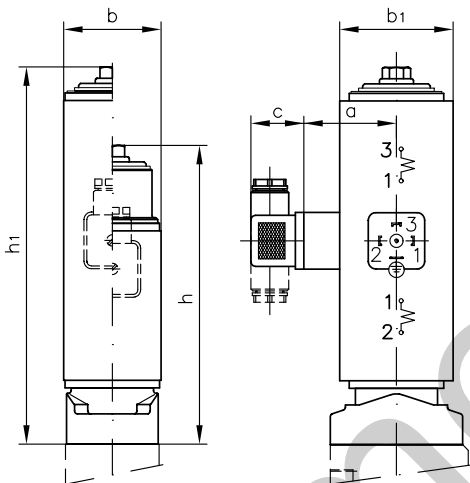


Flange (mounting) area with directional spool valve type SP 3(5)



Flange (mounting) area with directional spool valve type SP 3

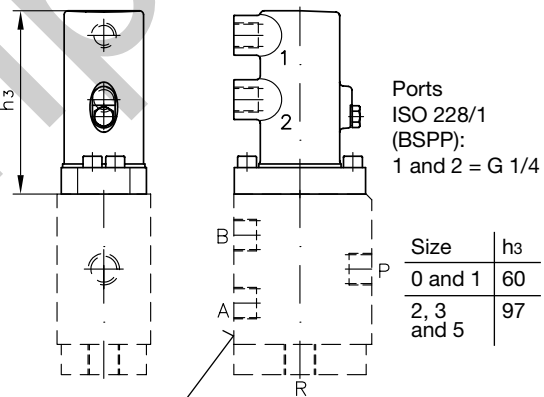
Solenoid actuation



$c = 28$ for version with DC-solenoid
 $c = 35$ for version with AC-solenoid
 This dimension depends on the manufacturer and may be max. 40 mm (acc. to DIN 43650)!

Pressure actuation

Standard versions, coding **NE, ND, NU and NM**



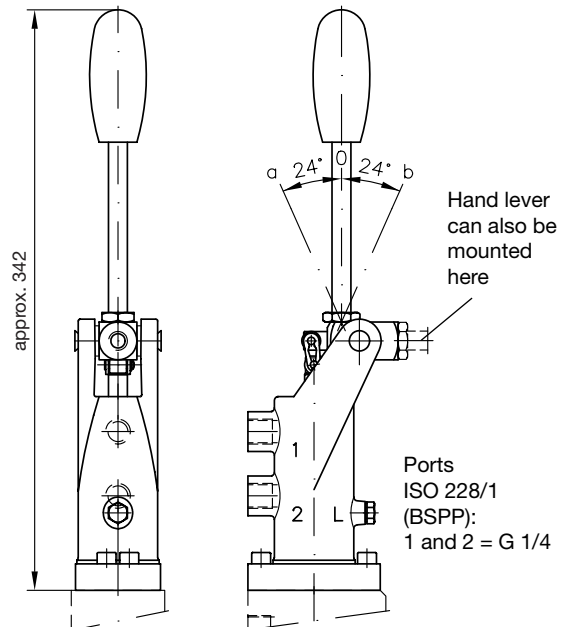
Ports ISO 228/1 (BSPP):
 1 and 2 = G 1/4

Size	h ₃
0 and 1	60
2, 3 and 5	97

Flange (mounting) area with directional spool valve type SP.

Size	Coding	a	b	b ₁	h	h ₁
0 a. 1	ME.. and MD..	32	39	51	104	135
2, 3 and 5	ME(D, U) 2/..	54	51.5	60	158	199
	ME(D, U) 3/..	54	∅72	∅72	158	199

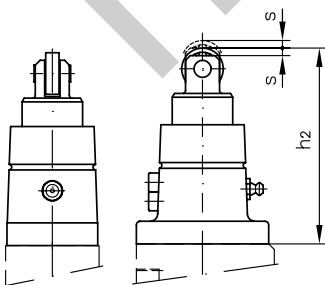
Double actuation coding **KM and KD**



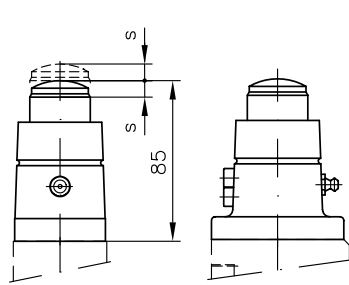
Ports ISO 228/1 (BSPP):
 1 and 2 = G 1/4

Mechanical actuation

Coding **RE and RD**



Coding **BE and BD**



Size	0 and 1	2, 3, and 5
h ₂	66	102
s	5	10