

# Directional seated valves

Directly actuated, leakagefree for hydraulic systems  
For the assembly on connection sub-plates

Valve for sub-plate mounting  
Valve with individual connection sub-plate  
Directional valve bank

Section 3  
Section 5  
D 7302

Pressure  $p_{max} = 350...500 (700) \text{ bar}$   
Flow  $Q_{max} = 6...120 \text{ lpm}$

## 1. General information

Directional control valves are generally used for the direct, leakage free control of consumers and as pilot valves for hydraulically actuated valves (depending on the flow pattern). They are designed as spring returned ball seated valves. The valve elements are forced into their respective switching position against the spring force and fluid pressure by various actuation elements via an elbow lever acting on a pin. A strainer insert in the inlet port prevents the entry of coarse contamination. The fluid ducts end as holes with O-ring seals at the ground, bottom surface of the valve body. Pipes may be connected either via customer furnished connection blocks or sub-plates (for individual valves with sub-plates see sect. 5 or for valve banks see D 7302). These valves do not show any leakage in blocked switching position. Reliable shifting is ensured, as these valves are designed as ball seated valves where there is no seizing or sticking in working position under full pressure. The leverage between actuation and valve element ensures low actuation forces and smooth shifting. To avoid interaction, most of these directional control valves are available with check valve inserts and return pressure stops or orifice inserts to limit the inflow of oil. Individual valves with sub-plate, enabling direct pipe connection, may be equipped with a by-pass check valve, a pressure limiting valve, or a rectifier circuit by means of check valves.

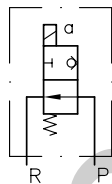
## 2. Overview

(For complete type overview, see sect. 8)

Individual valve for manifold mounting

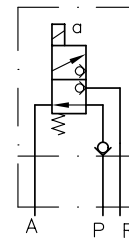
Individual valve with connection sub-plate for direct pipe connection

e.g. **GS 2-1-G 24**



Solenoid actuated 2/2-way directional seated valve, size 1, free flow when deenergized

e.g. **GZ 3-2R-3/8-G 24**



Solenoid actuated 3/2-way directional seated valve, size 2 with check valve insert in port P

Tapped ports in the connection sub-plate, G 3/8 (BSPP)

Actuation modes

For detailed data, see section 4++.

(Max. pressure rating depending on flow pattern and size, see sect. 3.1 table 2)

Code letter	Solenoid		Pressure		Mechanical		Manual	
	G	WG	hydraulic H	pneumatic P	roller K	pin T	feeler F	turn-knob D
Picture and symbol								

Tel: 02133988511

### 3. Individual valves, manifold mounting

(For individual valves with connection sub-plate for pipe connection, see sect. 5)

#### 3.1 Valve

Order example:

**G R2 - 3 R - G 24**

Solenoid actuation (acc. to sect. 4.1)

**G** = DC

**WG** = AC

For actuation modes **H, P, K, T, F, D**, see sect. 2 and 4.2 ++

solenoid voltage (standard)

**G 24** = 24 V DC; **WG 230** = 230 V AC

see sect. 4.1

Additional element (see table 3)

Size and main data (see table 2)

**Table 1:** Flow pattern

Coding	2/2-way valve		3/2-way valve		3/3-way valve	4/3-way valve	4/2-way valve	
	R2 <sup>3)</sup>	S2 <sup>3)</sup>	3 <sup>3)</sup>	Z3 <sup>3)</sup>	21 <sup>3)</sup>	22 <sup>1)</sup>	4 <sup>2) 3)</sup>	Z4 <sup>2) 3)</sup>
Detailed symbols (must be completed by actuation symbol)								
	<p>1) Not available for size 4! Note the arrangement of solenoids <b>a</b> and <b>b</b> in relation to the ports <b>A</b> and <b>B</b>, see dim. drawings sect. 3.3.3</p> <p>2) Only available for size 1</p> <p>3) Size 1 also available as explosion-proof version, see sect. 4.1.3</p>							
Simplified flow pattern symbol								

**Table 2:** Size, main data

Coding		0		1		2		3		4	
Max. flow approx. lpm		6		12		25		65		120	
Directional valves (...-way)		2/2; 3/2	3/3	4/3	2/2; 3/2; 3/3; 4/2	4/3	2/2; 3/2; 3/3	4/3	2/2; 3/2; 3/3	4/3	2/2; 3/2; 3/3
Pres- sure p <sub>max</sub> (bar)	Solenoid actuation	Type G.. and WG..	500	350	500 <sup>4)</sup>	350	500 <sup>4)</sup>	350	400	350	350
	Pressure actuation	Type H..	500	500	700	500	500	500	400	400	---
		Type P..	---	---	700	400	500	400	400	350	---
	Mechanical actuation	Type K..	---	---	700	400	500	400	400	350	---
		Type T..	---	---	700	400	500	400	---	---	---
Manual actuation	Type F..	---	---	700	400	500	400	400	350	---	
	Type D..	500	---	---	700	400	500	---	---	---	

<sup>4)</sup> For max. pressure during shifting, see sect. 4.1

**Table 3:** Additional elements to influence shifting operations, inserted in port P or R (can be retrofitted).

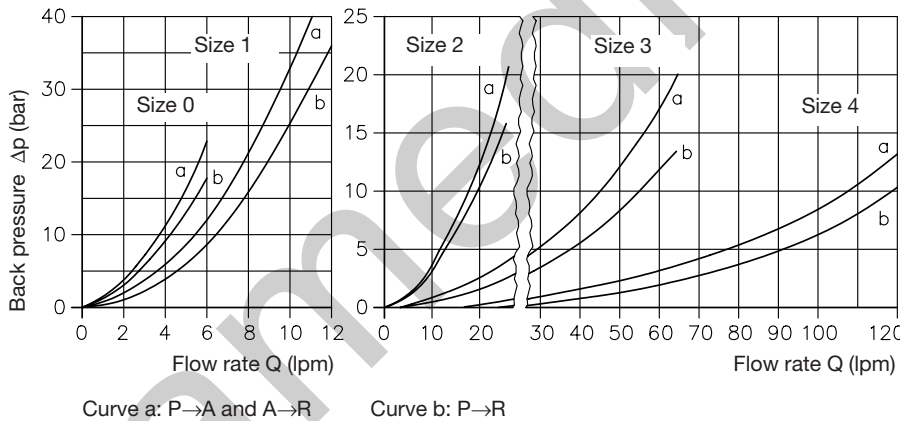
Installation illustration

Coding and symbol	Additional element		Note	Check valve or orifice installed in port P	Return pressure stop installed in port R
	for size	Type			
<b>R</b>	all	Insert check valves type ER acc. to D 7325 e.g. type ER 01 for valves size 0	Not avail. for 3/3- and 4/3-way directional spool valves type ...21 and ...22 The check valve prevents an uncontrolled impact or reflow R→P or A→P, e.g. if the inlet pressure at P drops below the consumer pressure at A (during idle position or actuation of another consumer with a lower pressure requirement) when several valves are connected in parallel. A pressure reduction is prevented during such switching operations.		
<b>B</b>	all	size 0 = EB 0-0,6 1 = EB 1-0,8 2 = EB 2-1,2 3 = EB 3-2,5 4 = EB 4-4,0 Insert orifices type EB acc. to D 6465	Not available for 4/3-way valves type ...22 ! The orifice serves to limit the flow (see Δp-Q curves) and should be installed if flow rates higher than Q <sub>max</sub> (table 2) can occur while switching from P→A(R): Hydraulic accumulators on the pump side P or in the case of hydr. servo operation of directional spool valves with control oil supply from the high flow main gallery.		
<b>S</b>	0 1	7332 000 a 7332 000 b A combination with check valve or orifice in port P is possible e.g. G 3-1 BS-G 24, GZ 3-1 RS-G 24	Return pressure stop Only available for 3/2-way valves types ..3-.. or ..Z3-.. Check valves may be installed in the reflow ports R of 3/2-way valves size 0 and 1. With parallel shifting of several valves, they prevent pressure surges from migrating via the common reflow gallery into non-operated, easily moving and unloaded consumers if there is a connection A→R, thus preventing uncontrolled extension movements. Such pressure surges can be caused by shifting operations. These check valves are not intended for blocking off hydraulic oil, which depending on the combination of switching operations of other valves, can arise at port R.		

**3.2 Further characteristic data**  
**3.2.1 General and hydraulic parameters**

Description	2/2-, 3/2-, 3/3, 4/3- and 4/2-way valve						
Design	Seated ball valve						
Mounting type and leads connection	Manifold mounting	Size	0	1	2	3	4
		corresp. to nom. size	4	6	10	15	20
Installation position	Any; Vertically with actuation up (best)						
Direction of flow	Only in arrow direction acc. to flow pattern in sect. 3.1 The location of ports P (pump), R (return flow), A and B (consumers) are dictated by the internal design and can't be readily interchanged.						
Overlap	Negative, i.e. the transition from shifting pos. 0 into a and vice versa is gradual, with 3/2-way valves all ports may be interconnected during this state. See also sect. 3.1 (table 3) „Additional orifice“ !						
Operation pressure	See sect. 3.1. All ports may be subject to the full oper. pressure, but a pressure drop must be maintained in flow direction acc. to the flow pattern in sect. 3.1, i.e. $P \geq A(B) \geq R$ . With 4/3-way valves connection R must be employed as return flow only. For permissible pressure during switching operations, see sect. 4.1.						
Static overload capacity	Approx. $2 \times p_{max}$ , applies only to valves in idle position ( $p_{max}$ from table 2 sect. 3.1)						
Flow rating	See sect. 3.1. Pay attention to the area ratio of double acting consumers (differential cylinders), i.e. the return might be higher than the inflow.						
Pressure fluid	Hydraulic oil conforming DIN 51524 part 1 to 3: ISO VG 10 to 68 conforming DIN 51519 Viscosity limits: min. approx. 4, max. approx. 800 mm <sup>2</sup> /s Optimal operation: Approx. 10 ... 200 mm <sup>2</sup> /s Also suitable for biological degradable pressure fluids types HEPG (Polyalkylenglycol) and HEES (Synth. Ester) at service temperatures up to approx. +70 °C. For other fluids see sect. 6.2.						
Temperature	Ambient: approx. -40...+80°C; Fluid: -25...+80°C, pay attention to the viscosity range! Start temperature down to -40°C are allowable (Pay attention to the viscosity range during start!), as long as the operation temperature during subsequent running is at least 20K higher. Biological degradable pressure fluids: Pay attention to manufacturer's information. With regard to the compatibility with sealing materials do not exceed +70°C. <b>Restrictions for version with ex-proof solenoid!</b>						

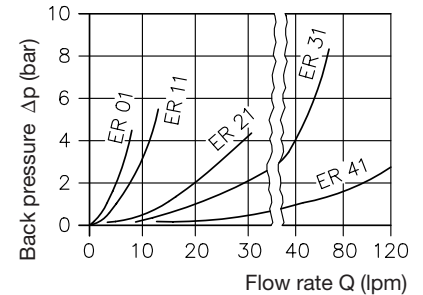
**2/2- and 3/2-way valves**



**Additional elements**

(the figures for  $\Delta p$  P→A(R) below are to be added !)

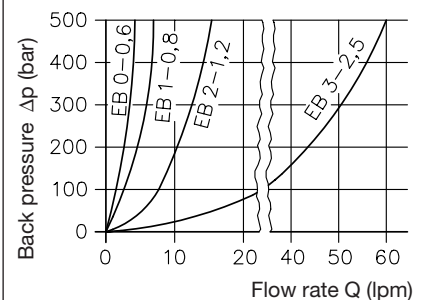
**Check valve**



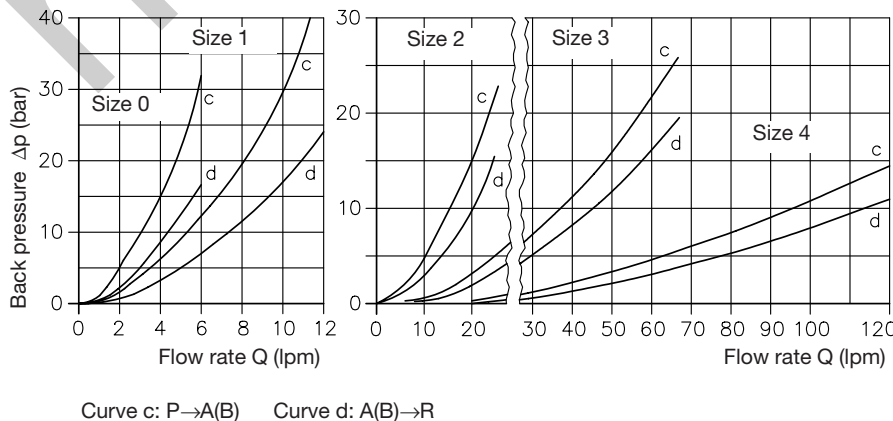
**$\Delta p$ -Q curves (guideline)**

Oil viscosity during tests approx. 60 mm<sup>2</sup>/s

**Orifice**



**3/3-, 4/3- and 4/2-way valves**



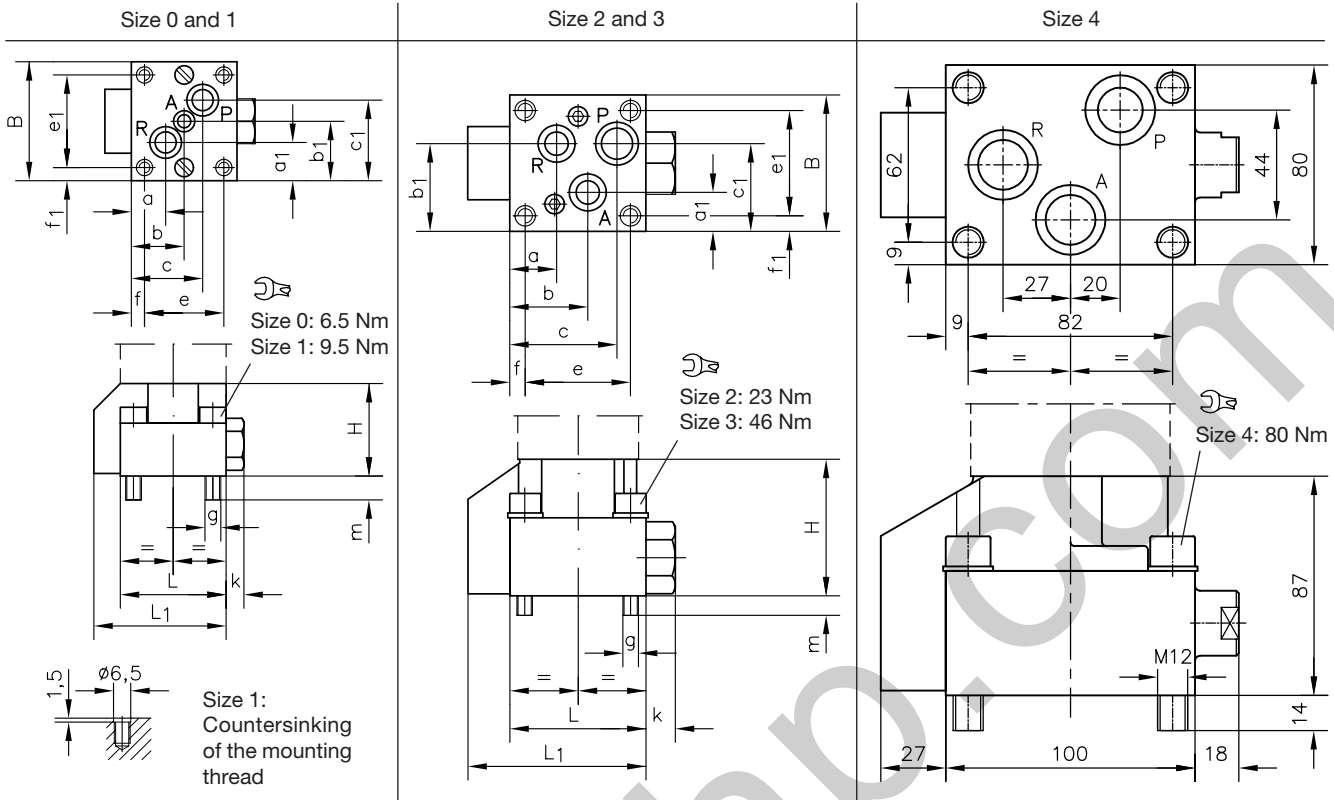
Tel: 02133988511

**3.3 Dimensions,** valve only. For the dimensions of the actuators see sect. 4.1++  
All dimensions are in mm and are subject to change without notice!

**3.3.1 2/2- and 3/2-way valves**

Coding .R2-..., .S2-..., .3-..., .Z3-...

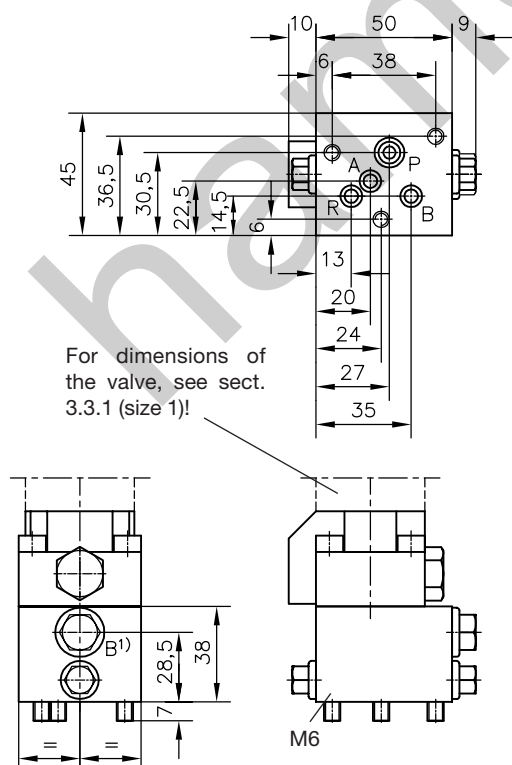
Port A is internally blocked at 2/2-way valves, but an O-ring must be installed if the valve is mounted on a sub-plate.



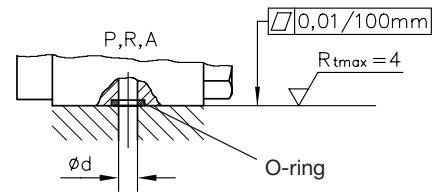
Size	L	L1	B	H	a	a1	b	b1	c	c1	e	e1	f	f1	g	k	m
0	32	41.5	36	27	10	12	16	18	22	24	24	28	4	4	M5	7	4
1	40	50	45	35	13	14.5	20	22.5	27	30.5	30	35	5	5	M6	8	9
2	50	62.5	56	55	16.6	18	26.6	31	38.8	32	39	43	5.1	6.5	M8	11	10
3	70	91.5	70	70	24	20	40	45	55	45	54	54	8	8	M10	17	10

**3.3.2 4/2-way valve**

Coding .4-... or .Z4-...



Holes in the manifold and sealing of the ports by O-rings 2)



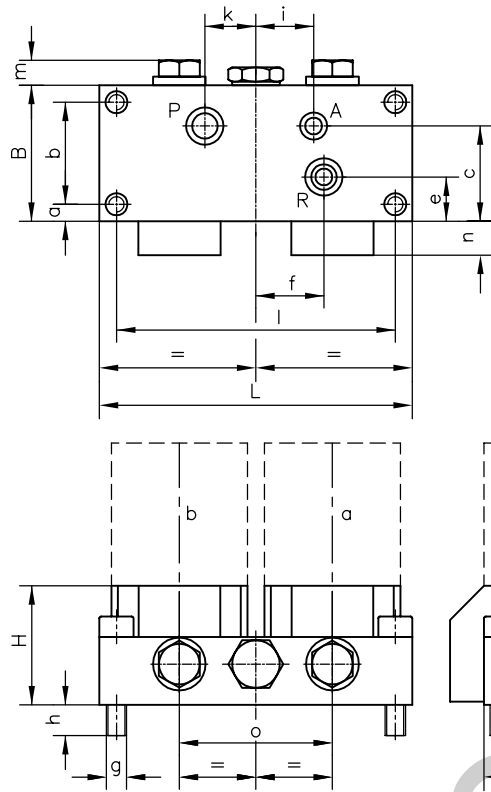
Size	Ports	$\varnothing d$	O-ring NBR 90 Sh	
2/2- and 3/2-way valve	0	P and R	3,5 6x1,5	
		A	3 3,5x1,2	
	1	P and R	4,5 8x1,5	
		A	4,5 5x1,5	
	2	P	9 14x2	
		A and R	9 10x2,2	
3	P	12 17.12x2.62		
	A and R	12 13.95x2.62		
4	A, P and R	20	KANTSEAL seal ring 6096 5217-00	
	4/2- way valve	1	P	4,5 8x1,5
			A, B and R	4,5 5x1,5

1) Port B (G1/4 (BSPP)) is unplugged, at versions with sub-plate acc. to section 5 or when installed in a valve bank type VB11... acc. to D 7302

2) Available as a complete seal kit (see sect. 4.5).

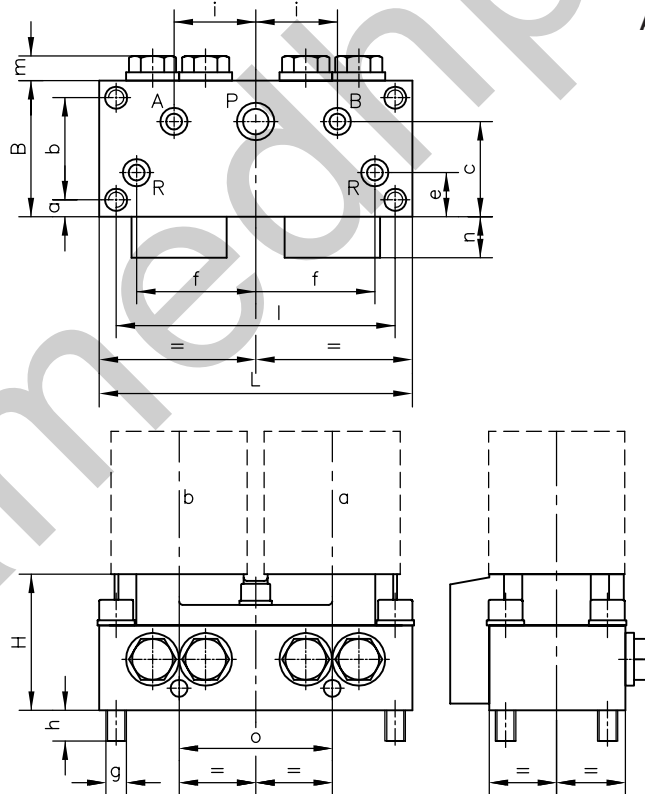
3.3.3 3/3- and 4/3-way valves

3/3-way valve  
Coding .21-..



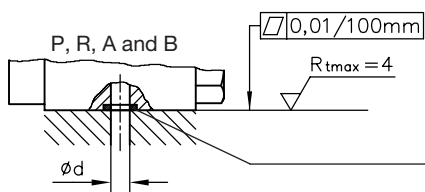
	Size				
	0	1	2	3	4
L	75	92	116	144	162
B	32	40	50	70	100
H	27	35	55	70	101
a	4	5	5.5	8	9
b	24	30	39	54	82
c	23	28	39	55	74
e	11	13	20	24	27
f	16	27	26	26	41
g	M5	M6	M8	M10	M12
h	3.5	9	10	10	16
i	19	20	26	20	25
k	13	15	22	20	25
l	66	82	103	128	144
m	7	8	11	17	18
n	10	10	13	22	26
o	38	45	53	72	82

4/3-way valve  
Coding .22-..



**Attention:** Both return ports R have to be connected, as there is no internal connection.

	Size			
	0	1	2	3
L	75	92	116	144
B	32	40	50	70
H	31	40	59	70
a	4	5	5.5	8
b	24	30	39	54
c	23	28	39	55
e	11	13	17	22
f	27	35	45	55
g	M5	M6	M8	M10
h	4.5	9	10	10
i	19	24	30	38
l	66	82	103	128
m	7	8	11	17
n	11	13	17	23
o	38	45	53	64



Holes in the manifold and sealing of the ports by O-rings <sup>1)</sup>

	Ports	Size 0	Size 1	Size 2	Size 3
Ød	P, R, A a. B	3.5	4.5	9	12
O-ring	P	6x1.5	8x1.5	14x2	17.12x2.62
	R, A and B	6x1.5	5x1.5	10x2.2	13.95x2.62

<sup>1)</sup> Available as a complete seal kit (see sect. 4.5).

## 4. Actuation modes

### 4.1 Solenoid actuation (standard)

The solenoids are built and checked conforming to VDE 0580.

Valve type acc. to sect. 3.1	Size 0		Size 1		Size 2		Size 3		Size 4		
	G...	WG... <sup>1)</sup>	G...	WG... <sup>1)</sup>	G...	WG...	G...	WG...	G...	WG...	
Nom. voltage $U_N$	12V DC, 24V DC, 110V DC, 230V AC see also sect. 4.1.2										
Nom. current $I_N$ <sup>2)</sup> (A)	0.67	0.08	0.83	0.1	1.1	0.13	2.1	0.26	3.6	0.44	
Nom. power $P_N$ <sup>2)</sup> (W)	16	16	20	20	26	26	50	50	86	86	
Switching time (guideline)	on (ms)	40	80	100	100	140	140	175	175	150	150
	off (ms)	40	100	50	125	55	150	65	200	100 <sup>4)</sup>	350 <sup>4)</sup>
Switchings per hour / h	Approx. 2000 (G.. and WG.. all sizes); approx. evenly distributed										

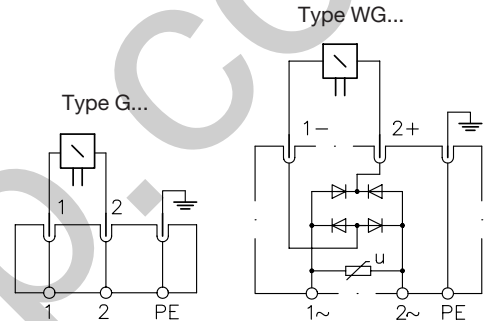
Protection mode	IP 54 acc. to IEC 60529 (readily assembled), IP 67 acc. to IEC 60529 for explosion-proof version									
-----------------	-----------------------------------------------------------------------------------------------------	--	--	--	--	--	--	--	--	--

Isolationsklasse	F						H			
Cut-off energy (Ws)	0.16	0.16	0.24	0.24	0.38	0.38	1.59	1.59	3.4	3.4
Guideline for max. value + approx. 10% according to tests with nom. voltage and 20°C										

Connection scheme of the plugs	①	⑤	②	④ <sup>1)</sup>	③	④	③	④	③	④
--------------------------------	---	---	---	-----------------	---	---	---	---	---	---

Plug conf. EN 175 301-803  
Adapters for size 0 and 1, see sect. 4.1.1

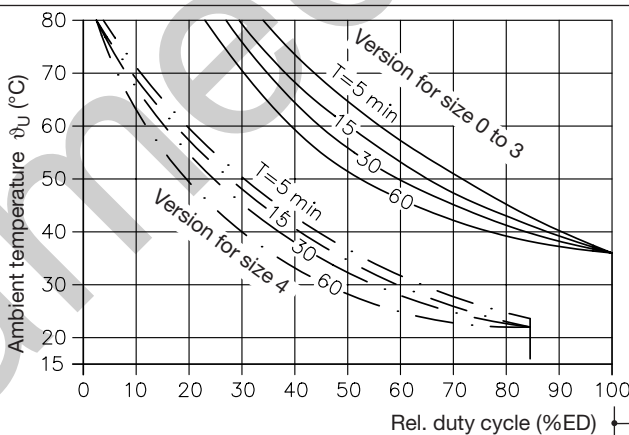
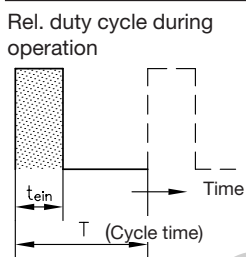
- ① Plug MSD 2<sup>3)</sup>
- ② Plug MSD 1<sup>3)</sup>
- ③ Plug conf. EN 175 301-803, e.g. MSD 3-309<sup>3)</sup>
- ④ Adapter + Socket A MSD 1-MSD 3 + MSD 4-209 P10<sup>3)</sup>
- ⑤ Adapter + Socket A MSD 2-MSD 3 WG + MSD 3-309<sup>3)</sup>



These connectors<sup>3)</sup> are part of the order coding as standard. For other connectors e.g. with clamp diode, economy circuit or LED's see D 7163.

Permissible operation conditions for outdoor use	The solenoid valves are suitable for normal outdoor use, if the solenoids are installed vertical (indicated by previous experience).									
--------------------------------------------------	--------------------------------------------------------------------------------------------------------------------------------------	--	--	--	--	--	--	--	--	--

Rel. duty cycle	100% ED (stamped on the solenoid), however observe operating duty cycle !									
-----------------	---------------------------------------------------------------------------	--	--	--	--	--	--	--	--	--



The curves do apply to stand-alone, individual valves only! If the valves are installed in a cabinet, it should be always equipped with louvers! In case of bank arrangement and ambient temperatures above 40°C the layout should be designed in such a way that adjoining solenoids are not energized over prolonged periods.

Rel. duty cycle

$$t_r = \frac{t_{ein}}{T} \cdot 100 (\%ED)$$

Increased switchable pressure (other than listed in sect. 3.1) for size 1, 2 and 4

Type	Valves size 1		Valves size 2		Valves size 4 type GR 2-4-G..	
	$P_{max}$ (bar)	$Q_{max}$ <sup>5)</sup> (lpm)	$P_{max}$ (bar)	$Q_{max}$ <sup>5)</sup> (lpm)	$P_{max}$ (bar)	$Q_{max}$ <sup>5)</sup> (lpm)
G... a. WG..	700	8	700	12	400	60

1) Only with adapter, see sect. 4.1.1  
 2) The electrical data for solenoids G and WG are only a guideline (max) and may vary depending on manufacturer.  
 3) Co. K + B GmbH, D-84056 Rottenburg a.d.L.; This type of plug must be specified, when placing a separate orders.  
 4) Possibly increased tolerance, above 250 bar.  
 5) **Attention:** The storage capability of high pressure consumers has to be taken into consideration. Pressure surges during discharging, which might harm internal functional parts of the valve or fatigue fracture of other hydraulic components of the application can be prevented by installing orifices (see sect. 3.1) upstream.

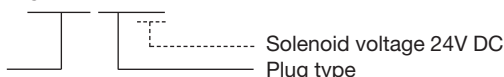
#### 4.1.1 Plugs for valves size 0 and size 1

The standard version comes with a plug (see dimensional drawing and connection scheme)

Order example:

GR 2-1 -A 24

Directional seated valve  
acc. to section 3.1



Coding	G	WG	A	N
Note	Central plugs (serie)	Valve with adapter and bridge rectifier (socket) The bridge rectifier is incorporated in the adapter for size 0	Valve with adapter for plugs shape A EN 175301-803 is customer furnished	Valve with adapter and, plug shape A EN 175301-803
Socket Size 0	MSD 2	MSD 2-MSD 3WG + MSD 3-309	MSD 2-MSD 3	MSD 2-MSD 3 + MSD 3-309
Socket Size 1	MSD 1	MSD 1-MSD 3 + MSD 4-209 P10	MSD 1-MSD 3	MSD 1-MSD 3 + MSD 3-309

#### 4.1.2 Solenoid voltage

Examples: GR 2-2 - G 24 ( $I_{20} = 0.54 \text{ A}$ )  
G 3-0R - A 110 ( $I_{20} = 0.15 \text{ A}$ )  
WGZ 4-1 - W 200 ( $I_{20} = 0.11 \text{ A}$ )

The indicated nominal power ratings are approximate reference values, which may differ insignificantly depending on the voltage and the manufacturer of the solenoid. The current rating in cold state is  $I_{20} = P_N / U_N$  (see examples)

##### 1) Notes for proper selection:

**DC:** The order specification (solenoid) should be identical with the one of the power supply (DC). If the supply voltage is lower it will reduce the force of the solenoid, if it is higher the solenoid will be heated up unpermissibly (tolerance  $\pm 5\text{-}10\%$ ).

**AC:** The order specification should be identical with the one of the power supply (50/60 Hz AC). The voltage of the solenoid is approx.  $0.9 U_{AC} - 2 \text{ V}$  due to the corresponding bridge rectifier. The table identifies the solenoids utilized in such cases (e.g. for 110V AC 50 Hz; solenoid with  $U_N = 98 \text{ V DC}$ )

**Attention:** It is important to specify the voltage !

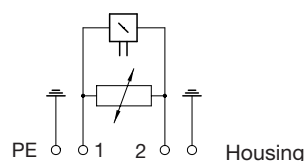
Order specification	Size 0	Size 1	Size 2	Size 3	Size 4
	(16 W)	(20 W)	(26 W)	(50 W)	(86 W)
G 12	x	x	x	x	x
G 24	WG...-WG 24	x	x	x	x
G 24 EX		x (23 W)			
G 36	WG...-WG 42		x	x	
G 42	WG...-WG 48	x	x		x
G 48		x	x	x	
G 80		x	x	x	
G 98	WG...-WG 110	x	x	x	x
G 110		x	x	x	
G 125		x	x		x
G 185	WG...-WG 200	x	x	x (180V DC)	x
G 205	WG...-WG 230	x	x	x	x
G 220		x	x	x	

#### Note:

Only 40% ED are permissible if the valves are neighboring, it is additionally recommended that neighboring valves are not actuated simultaneously.

#### Explosion-proof solenoids

Connection scheme of the plugs



#### Electrical data for ex-proof solenoids

ATEX-Certificate of conformity  
Coding

Oper. duration  
Duty cycle  
Nom. voltage  $U_N$   
Power  $P_N$

#### Restrictions for use:

Ambient temperature  
max. fluid temperature  
el. protection against overload (conf. IEC 60127)  
Surface coating

TÜV-A 12ATEX 0006 X  
⊕ II 2 G Ex d IIB + H2 T4 Gb  
⊕ II 2 D Ex tb IIIC T135°C Db  
100% ED  
IP 67 (IEC 60529)  
24 V DC  
23 W

-35 ... +40°C  
+70°C

$I_F < 1.6\text{-}A\text{-}T$   
Housing galvanically zinc coated  
Coil and connection cavity are moulded

#### Attention:

- Flow pattern 21 and 22 not available with explosion-proof solenoids

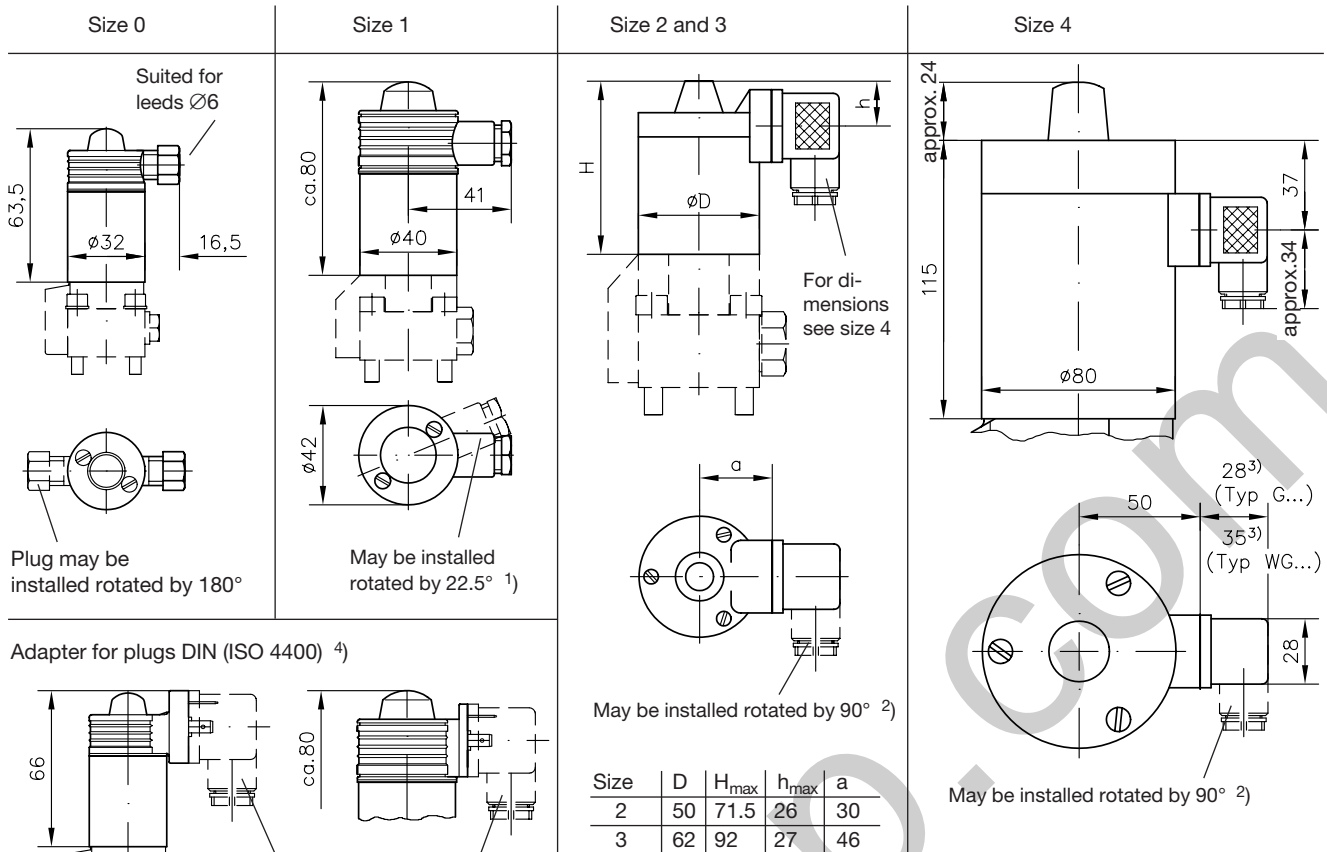
**Attention:** Protect the complete valve against direct sun light.

Observe the operation manuals B 03/2004 and B ATEX!  
Electrical lay-out and testing conforming EN 60079, VDE 0170-1, VDE 0170-5

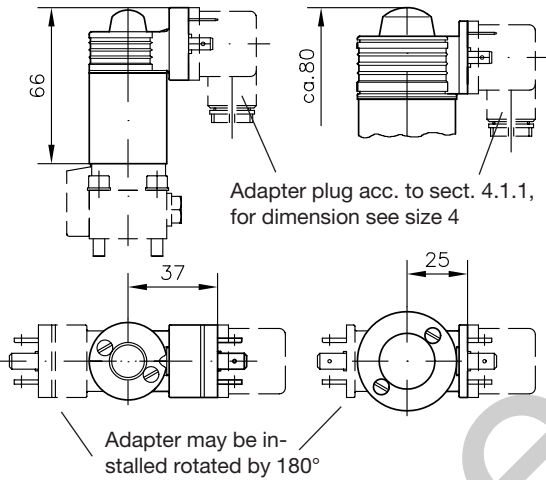
Tel:02133988511

**4.1.3 Unit dimensions**

All dimensions are in mm and are subject to change without notice!

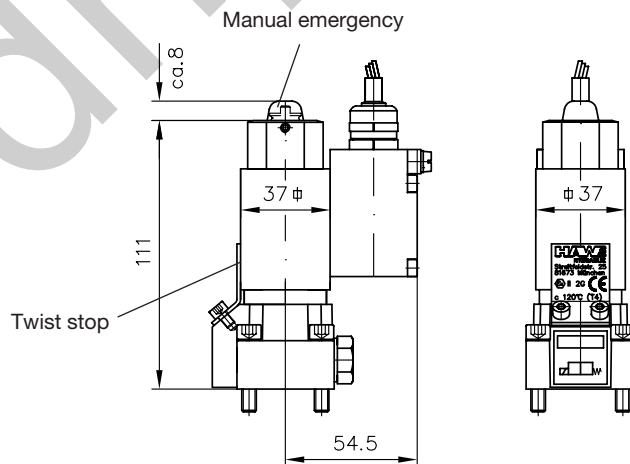


Adapter for plugs DIN (ISO 4400) <sup>4)</sup>



- 1) It is not possible to install the plug in any position if the valve is part of a valve bank (see D 7302)
- 2) Either in upward or downward valve bank (see D 7302)
- 3) This dimension is depending on the manufacturer and may be up to 40 mm more DIN 43650
- 4) The bridge rectifier is incorporated in the adapter with type WG.. size 0 and with size 1 it is part of the plug

Size 1 with explosion-proof solenoids



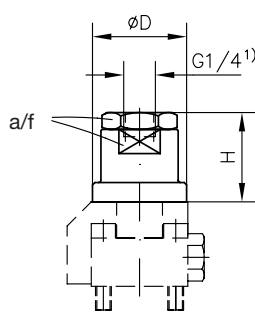
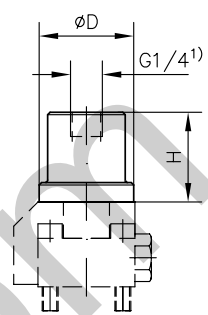
**Manual emergency operation**

Size	0	1	4	2	3
Max. actuation force (N)	35	80	450	150	250
Cross sectional drawing	<p>Size 0 and 1</p>				
Note	<p>Press the actuation pin hidden under the rubber cap.</p>			<p>Push the emergency actuation pin inward by means of a screw driver or similar, if required</p>	<p>The manual emergency actuation may be put out of function by blocking the tapped hole by means of a screw M3x5 DIN 921</p>



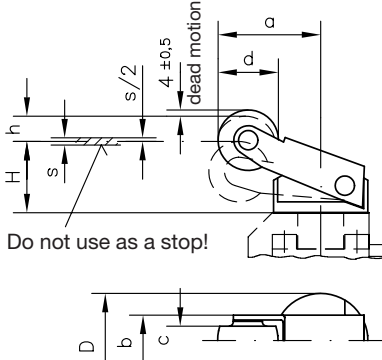
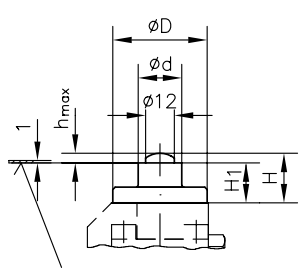
### 4.2 Hydraulic and pneumatic actuation

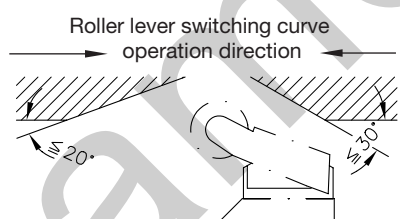
The actuation element is a single acting piston with spring return.  
 The valve will remain in its working position **a** as long as the control pressure prevails. It will return automatically in its idle position **0** if the control pressure is relieved.  
 The piston is sealed and operates without any leakage.

Actuation		Hydraulically (Size 0 ... 3)				Pneumatically (Size 1, 2, 3)		
Control medium		Oil				Compressed air, filtered and oiled		
Coding		H...				P...		
Dimensional drawing								
Size		0	1	2	3	1	2	3
Control pressure (bar)	max	500	700	500	400	15		
	min	16	12	9	9	4	2.5	2.5
Control volume (cm <sup>3</sup> )		0.2	0.4	0.7	6.1	1	2.5	7
All dimensions are in mm and are subject to change without notice!	D	32	39	49	60	39	49	60
	H	44	36	52	77	36	39	52
	a/f	27	27	32	41	---	---	---
Temperature (ambient and control medium)		-40 to + 80°C				-20 to + 70°C		

### 4.3 Mechanical actuation

The actuation element is a pin (tracer) with spring return, which may be used either directly for vertical directions of operation or via a roller lever for lateral directions. The valve is in working position **a** if the actuation element is forced into the hatched area of the lever path.

Actuation mode		Roller lever (Size 1, 2, 3)			Feeler pin (Size 1 and 2)		
Code letter		K...			T...		
Dimensional drawing							
Size		1	2	3	1	2	
Switching force range	s (N)	25 to 28	42 to 47	55 to 80	51 to 57	95 to 120	
	Switching path (mm)	Start of function (H + h)	38.5 ± 0.5	46.5 ± 0.5	76 ± 0.5	---	---
		Function path	h	10.5 ± 0.5	15.5 ± 0.5	30 ± 0.5	4
Switching position range		s	3 ± 0.5	4 ± 0.5	6 ± 0.5	---	---
All dimensions are in mm and are subject to change without notice!	D	39	49	60	39	49	
	d	25	25	35	18	22	
	H	28	31	46	20.5	25.5	
	H1	---	---	---	16.5	20.5	
	a	42	41	62.5	---	---	
	b	21	21	26	---	---	
	c	12	12	15	---	---	



#### 4.4 Manual actuation

Feeler lever coding F: The actuation element is a feeler lever which acts on a spring loaded pin. Switching position a is retained as long as the feeler lever is pressed down within the hatched area.

Turn knob coding D: This actuation element is with detent. Switching position a or 0 alternate as the knob is turned by 90°. The direction of rotation is arbitrary.

Actuation mode		Feeler lever (size 1, 2, 3)			Turn knob (size 0, 1, 2)		
Code letter		F...			D...		
Dimensional drawing							
Size		1	2	3	0	1	2
Actuation force in the range	s (N)	25 to 28	42 to 47	55 to 80	---	---	---
Switching torque	(Ncm)	---	---	---	45	63	98
Actuation travel (mm)	$h_{max}$	20.5	23.5	45	---	---	---
	s	3.5	4	10	3.5	3.5	5
All dimensions are in mm and are subject to change without notice!	D	39	49	60	---	---	---
	H	37	43	70	38	40	47
	B	34.5	32	56.5	43	43	52

#### 4.5 Seal kits

These seal kits contain the O-rings listed in sect. 3.3 and additional parts and seals. For more detailed information, see spare parts lists E 7300-0, E 7300-1, E 7300-2, E 7300-3 and E 7300-4.

Flow pattern	Size	Seal kit for actuation	
		G, WG, K, T, F and D	H and P
..R2 ..S2 ..3 ..Z3 ..4 ..Z4	0	1 x DS 7300-01	1 x DS 7300-01 1 x DS 7300-03
	1	1 x DS 7300-11	1 x DS 7300-11 1 x DS 7300-13
	2	1 x DS 7300-2N	1 x DS 7300-2N 1 x DS 7300-23
	3	1 x DS 7300-31	1 x DS 7300-31 1 x DS 7300-34
..21	4	1 x DS 7300-41	
	0	1 x DS 7300-02	1 x DS 7300-02 2 x DS 7300-03
	1	1 x DS 7300-12	1 x DS 7300-12 2 x DS 7300-13
	2	1 x DS 7300-21N	1 x DS 7300-21N 2 x DS 7300-23
	3	1 x DS 7300-32	1 x DS 7300-32 2 x DS 7300-34
..22	4	1 x DS 7300-42	
	0	1 x DS 7300-02	1 x DS 7300-02 2 x DS 7300-03
	1	1 x DS 7300-12	1 x DS 7300-12 2 x DS 7300-13
	2	1 x DS 7300-22	1 x DS 7300-22 2 x DS 7300-23
	3	1 x DS 7300-33	1 x DS 7300-33 2 x DS 7300-34

## 5. Individual valve with connection sub-plate

All ports of the 2/2-, 3/2-, 3/3- and 4/3-way directional seated valves acc. to section 3 are designed as holes with O-ring sealing at the ground bottom of the valve body. These valves have to be completed with sub-plates or customer furnished manifolds to enable pipe connection.

### 5.1 Available versions, main data

Order example: GR 2-2 - 1/2S - G 12 - 220

Valve coding acc. to sect. 3 Desired pressure setting in bar (Pressure range depending on spring, see ②)

Coding	Ports conforming ISO 228/1 <sup>1)</sup> (BSPP)	Available for size	Flow pattern overview					
			2/2-way valve	3/2-way valve	3/3-way valve	4/2-way valve	4/3-way valve	
<p>These symbols have to be completed with the actuation symbols.</p>								
<b>①</b> Connection block without additional features	-1/4	G 1/4	0 and 1					
	-3/8 <sup>2)</sup>	G 3/8	1 and 2					
	-1/2	G 1/2	2 and 3					
	-3/4	G 3/4	3 and 4					
	-1	G 1	4					
Suited for connection in series and in parallel, if the perm. pressure stated in section 3.2. „Operation pressure“ for P, A, B and R are not exceeded.								
<b>②</b> Connection with pressure limiting valve  ...S tool adjustable   ...SR manually adjustable 	-1/4 S(R)	G 1/4	0 and 1			The connection block with pressure limiting valve is not available for 3/3- and 4/3-way directional valves!  The pressure specification in the order coding determines the pressure range of the spring (size 0) and additionally the valve seat dimension for size 1 and 2.		
	-3/8 S(R)	G 3/8	1 and 2					
	-1/2 S(R)	G 1/2	2					
	Not available for other sizes !							
	Pressure range	Coding	Valve size	Press. (bar)				
	-1/4 S(R)	0	(0) ... 350 (0) ... 500					
		1	(0) ... 100 (0) ... 200					
	-3/8 S(R)	1 and 2	(0) ... 200 (0) ... 400					
	-1/2 S(R)	2	(0) ... 700					
Port R may be used only for unpressurized return flow to ensure proper function of the pressure reducing valve. Parallel connection of additional valves is only permissible with sub-plates acc. to ① but not with sub-plates acc. to ②								
<b>③</b> Connection block with by-pass check valve  Not available for other sizes !	-1/4 C	G 1/4	0 and 1	 This connection block is only available for 2/2-way directional valves! P <sub>max</sub> (bar) and Q <sub>max</sub> (lpm) are determined by the installed valve.				
	-3/8 C	G 3/8	1 and 2					
	-1/2 C	G 1/2	2					
	-3/4 C	G 3/4	3					
A by-pass check valve (RK 3 acc. to D 7445) is required to enable flow R→P. Pressure surges (decompression) in flow direction R→P should be avoided ! For pressure rating of R, see sect. 3.2.								
<b>④</b> Connection block with rectifier circuit by means of check valves	-1/4 G	G 1/4	0 and 1	 This connection block is only available for 2/2-way directional valves! P <sub>max</sub> (bar) and Q <sub>max</sub> (lpm) are determined by the installed valve.				
	-3/8 G	G 3/8	2					
	-1/2 G	G 1/2	3					
	-3/4 G	G 3/4	4					
	Version with G 1 is not available							
The rectifier circuit by means of check valves enables both flow directions for the 2/2-way valves. Therefore the port codings P and R are not stamped on the sub-plate.								

1) For male pipe fittings with journals shape B DIN 3852 page 2.

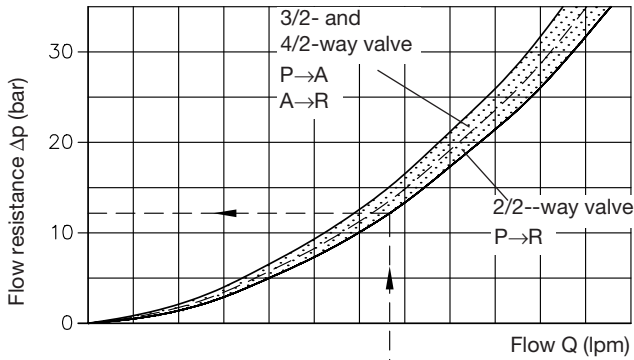
2) Not available for flow pattern 4 and Z4 (table 1)

**5.2  $\Delta p - Q$  - curves**

Guideline for valve including sub-plate and a fluid viscosity of approx. 60 mm<sup>2</sup>/s

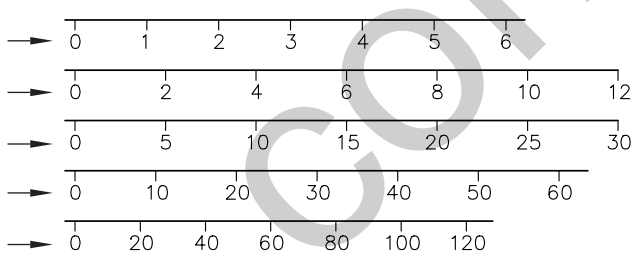
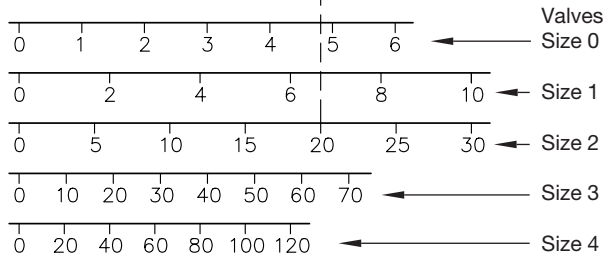
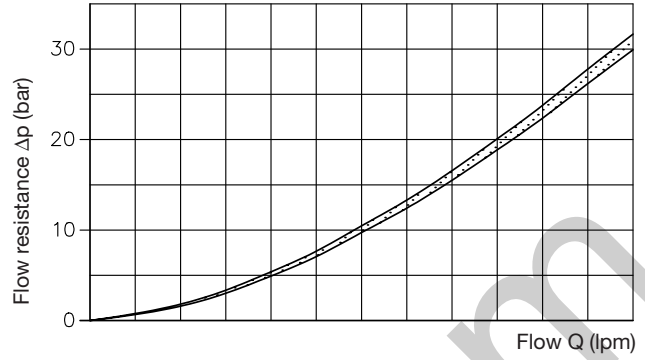
Flow direction P → R

sub-plates ①, ② and ③



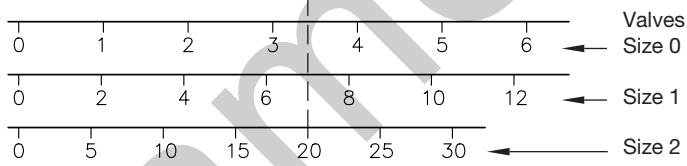
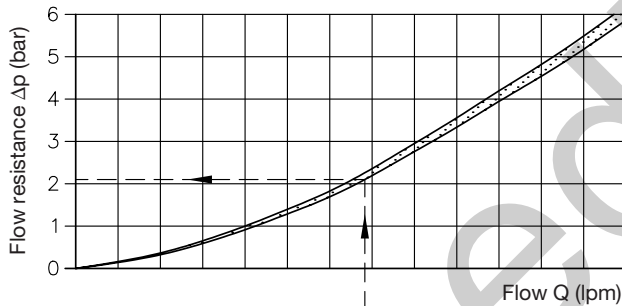
Flow direction P → R (R → P)

sub-plates ④



Flow direction R → P

sub-plates ③



**Example:**

A flow of 20 l/min is applied to valve type GR 2-2-1/2C (sub-plate ③)

$\Delta p_{P \rightarrow R} \approx 12 \dots 14$  bar acc. to table ;

$\Delta p_{R \rightarrow P} \approx 2$  bar acc. to table

**5.3 Unit dimensions**

All dimensions are in mm and are subject to change without notice!

**5.3.1 Connection sub-plates acc. to ① and ③**

**2/2- and 3/2-way valves**

**Attention:** Port A is alsolete with 2/2-way valves, for all other dimensions see 3/2-way valve.

Size 0 and 1

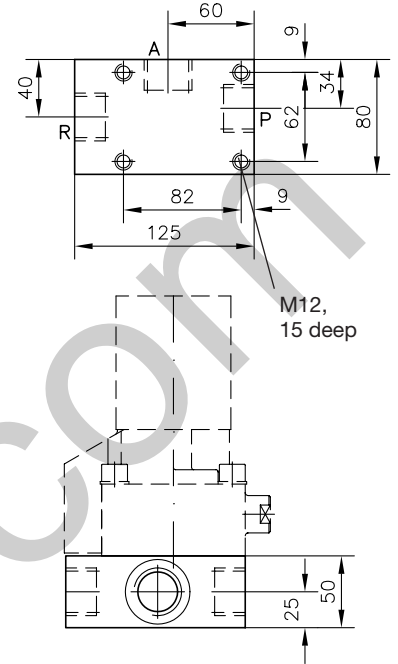
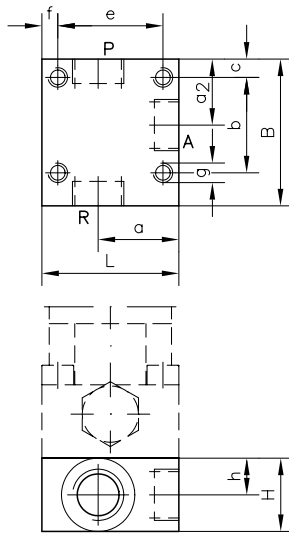
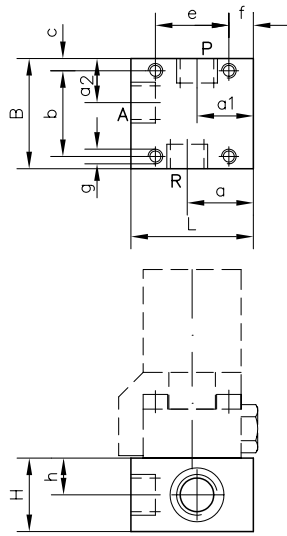
Type: ..-1/4(C) or ..-3/8(C)  
e.g. GZ 3-1-1/4C-G 24

Size 2 and 3

Type: ..-3/8(C); ..-1/2(C); ..-3/4(C)  
e.g. WG 3-3-1/2-G 24

Size 4

Type: ..-3/4 or ..-1  
e.g. GS 2-4-1-G 24

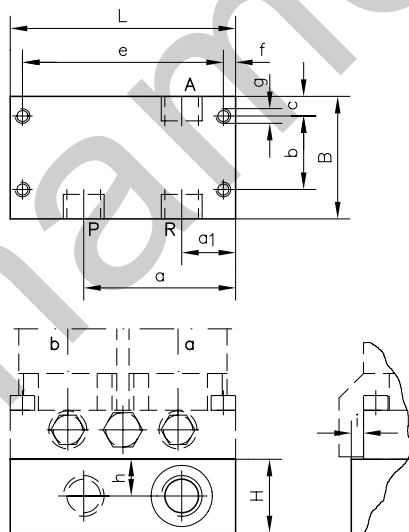


Size	Port P, R a. A	L	B	H	a	a1	a2	b	c	e	f	g	h
0	G 1/4 *	40	36	25	16	16	18	28	4	24	4	M5, 6 deep	12.5
1	G 1/4 *	50	45	30	29	21	20	35	5	30	10	M6,	15
	G 3/8 *	50	45	30	27	23	18	35	5	30	10	10 deep	
2	G 3/8 *	56	60	30	33	--	33	39	5.5	43	6.5	M8,	15
	G 1/2 *	56	60	30	33	--	27	39	7.5	43	6.5	10 deep	
3	G 1/2 *	70	80	40	43	--	40	54	18	54	8	M10,	20
	G 3/4 *	70	80	40	41	--	40	54	18	54	8	10 deep	

\* (BSPP)

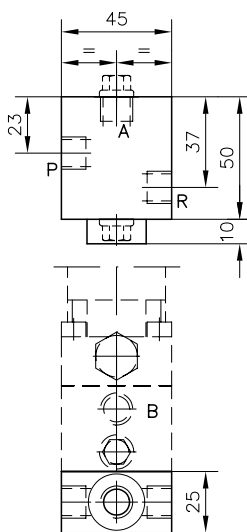
**3/3-way valve**

Type: ..21-0-1/4  
to  
..21-4 - 1  
e.g. WG 21-2-3/8-WG 230



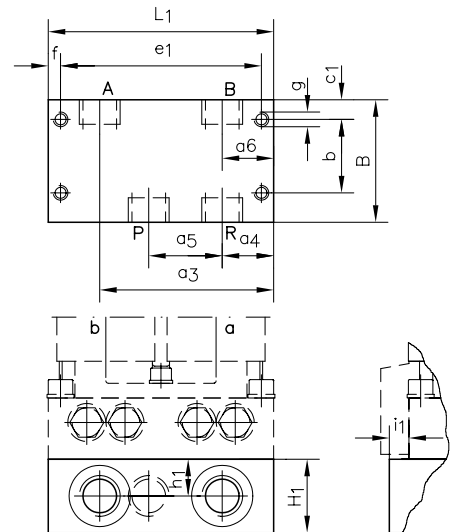
**4/2-way valve**

Type: ..4-1-1/4  
..Z4-1-1/4  
e.g. G 4-1-1/4-G 24



**4/3-way valve**

Type: ..22-0-1/4  
to  
..22-4 - 1  
e.g. G 22-1-1/4-G 24



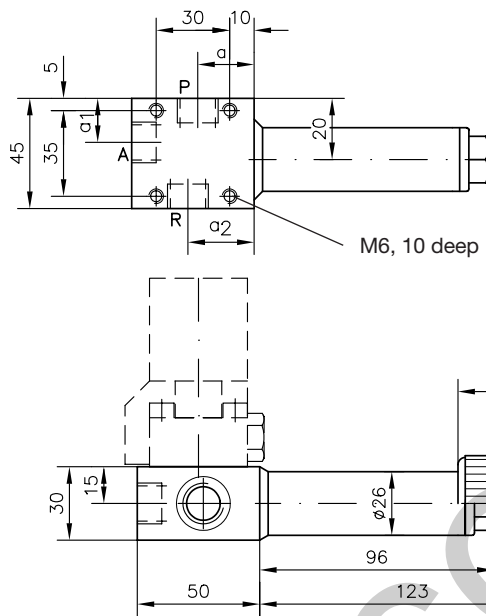
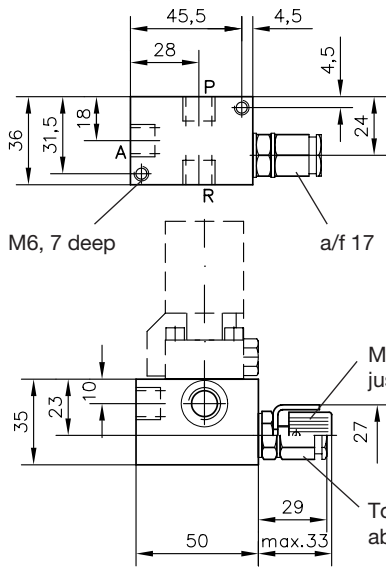
Size	L	L1	B	H	H1	a	a1	a2	a3	a4	a5	a6	b	c	c1	e	e1	f	g	h	h1	i	i1
0	75	75	40	25	25	50	20	30	56.5	15	25	18.5	24	8.5	9	66	66	4.5	M5, 6 deep	12.5	14	12.5	7.5
1	92	92	50	30	30	62	22	22	71	21	30	21	30	7	7	82	82	5	M6, 10 deep	15	15	8	8
2	116	116	60	30	30	81	31	31	88	24	38	28	39	12.5	12.5	103	103	6.5	M8, 10 deep	15	15	3	3
3	144	144	80	40	40	92	46	52	110	29	43	34	54	18	18	128	128	8	M10, 12 deep	20	20	10	10
4	162	182	100	63	63	106	40	56	141	31	60	41	82	9	9	144	164	9	M12, 12 deep	38	38	0	0

Tel: 02133988511

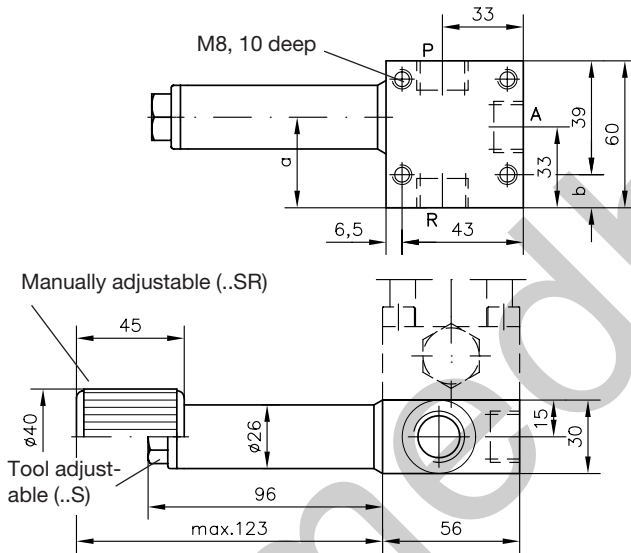
5.3.2 Connection sub-plates acc. to ②

Size 0 Type: ...-1/4 S(SR)

Size 1 Type: ...-1/4 S(SR); ...-3/8 S(SR)



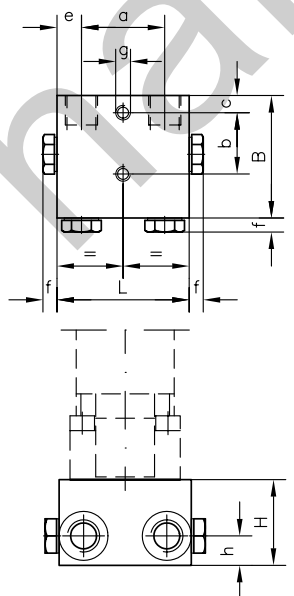
Size 2 Type: ...-3/8 S(SR); ...-1/2 S(SR)



Size	Port P, R and A	a	a1	a2	b
0	G 1/4 *	--	--	--	--
1	G 1/4 *	21	20	29	--
	G 3/8 *	23	18	27	--
2	G 3/8 *	30	--	--	15.5
	G 1/2 *	37	--	--	13.5

\* (BSPP)

5.3.3 Connection sub-plates acc. to ④



Type: ...-1/4 G  
...-3/8 G  
...-1/2 G  
...-3/4 G

Size	L	B	H	a	b	c	e	f	g	h
0	44	50	30	24	30	10	10	9	M5, 5 deep	14
1	54	50	35	34	25	7	10	9	M6, 10 deep	12
2	60	60	40	35	30	8	12.5	9	M8, 10 deep	14
3	80	80	50	46	40	10	17	10,5	M10, 10 deep	18
4	100	112	63	55	50	15	22.5	4	M12, 15 deep	21

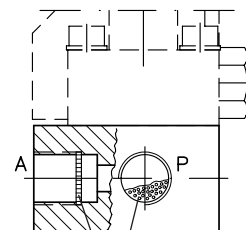
## 6. Appendix

### 6.1 Protection of directional seated valves against coarse contamination

Directional seated valves are rather insensitive to ultra fine contamination always evident in hydraulic fluids. Nevertheless directional seated valves are fitted with screen filter elements with 0.25 mm mesh width to prevent sudden disturbance caused by coarse contaminations that may occasionally be carried along in the oil (such as torn off particles of tubing, packing, scale swarf,) and which otherwise might get trapped at the valve seat gap.

The sub-plates for individual valves (sect. 5) are fitted with fine screen filter discs HFC 1/4F 1 or HFC 3/8 (acc. to D 7235) as standard at A and B with size 0, additionally in P with size 1. Valves size 2, 3 and 4 with port size G 3/8 \*, G 1/2 \* and G 3/4 \* may be retrofitted-. These screen filters are not available for G 1 \*. (\* BSPP)

These screen filter elements must not be understood as a replacement for usual hydraulic filters. In practice, however, they provide sufficient protection against malfunctions in small hydraulic systems. If such malfunctions should occur, the filter elements should be checked first. For the sake of simplicity, these filter elements are not explicitly shown in the diagrams.



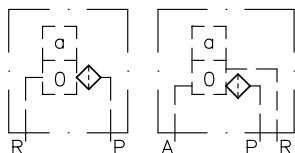
Screen filter elements type HFC acc. to D 7235

#### Symbols

Individual valves acc. to section 3:

2/2-way valve

3/2-way valve



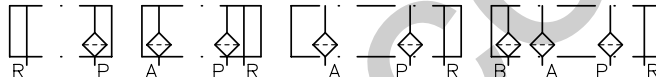
Connection sub-plates acc. to section 5:

2/2-way valve

3/2-way valve

3/3-way valve

4/2- and 4/3-way valve



### 6.2 Versions for special fluids

- HFA (water / glycol solution, conforming VDMA 24317)  
The functionally essential parts are of stainless steel or tuffrided to prevent corrosion (valve balls, valve seat, actuation pin etc.). The valve body (size 3), external parts e.g. tapped plugs etc. are zinc galvanized.  
There are only 2/2-, 3/2- and 4/2-way directional seated valves available with flow pattern R2, S2, 3, a, Z3, 4, Z4 (see table 1 in sect. 3.1)

Type coding: G 3-1-G 24 **HFA**

Size	Pressure $P_{max}$ (bar)	Flow $Q_{perm.}$ (lpm) approx. with reflow back pressure		Note:
		1 bar	2 bar	
0	400	3	4	A slight compensating force in the return pipe may be created by installing the tank at the highest possible location within the system.
1		5	6	
2		14	18	
3		36	45	

Throttles (cascade type or a coiled, small diameter pipe) should be installed at the pressure inlet to limit the flow down to permissible values for the applied pressure. This is to prevent cavitation and applies to all valves with return connection (3/2- und 4/2-way valves and 2/2-way valve as by-pass to the tank) or valves in circuits connected to an accumulator.

- Brake fluid based on glycol  
Versions equipped with EPDM (Ethylenpropylen-dien-rubber) seals suited for glycol based brake fluid or other special fluids.  
Type coding: GR 2-2-G 24 **AT**
- Versions equipped with FKM (flour rubber, Viton) seals suited for some HFD type fluids (fire inhibiting, conforming VDMA 24317)  
Type coding: WGS 2-0-WG 230 **PYD**

## 7. Mass (weight) approx. in kg

Basic valve complete with actuation acc. to section 3 and 4

Actuation mode	Type	2/2- and 3/2-way valve size					3/3-way valve size					4/3-way valve size				4/2-way valve size	
		0	1	2	3	4	0	1	2	3	4	0	1	2	3	1	
Electrical	G..	0.4	0.65	1.2	3.1	7.2	0.8	1.4	2.9	5.9	16.3	0.9	1.6	3.0	6.0	1.9	
	WG..	0.4	0.7	1.2	3.1	7.2	0.8	1.5	2.9	5.9	16.3	0.9	1.7	3.1	6.0	2.0	
Hydraulic	H..	0.4	0.5	1.1	2.8	--	0.8	1.1	2.7	5.2	--	0.8	1.3	2.8	5.3	1,8	
Pneumatic	P..	0.4	0.4	0.9	2.2	--	--	0.9	2.3	4.1	--	--	1.1	5.4	4.2	1.7	
Mechanical	Act. roll	K..	--	0.4	0.8	2.0	--	--	0.9	2.1	3.7	--	--	1.1	5.2	3.8	1.7
	Act. pin	T..	--	0.4	0.8	--	--	--	0.8	2.1	--	--	--	1.0	5.2	--	1.6
Manual	Lever	F..	--	0.4	0.8	2.0	--	--	0.9	2.1	3.7	--	--	1.1	5.2	3.8	1.7
	Turn knob	D..	0.4	0.4	0.9	--	--	0.8	0.9	2.2	--	--	0.8	1.1	5.3	--	1.7

Connection sub-plates acc. to section 5

Connection block only, for weight of the directional seated valves see above!

	Size				
	0	1	2	3	4
Simple connection block ①	0.2	0.5	1.0	1.2	3.8
Connection block ② with pressure limiting valve	0.4	1.2	1.6	--	--
Connection block ③ with by-pass check valve	0.2	0.5	1.0	--	--
Connection block ④ with rectifying circuit by means of check valves	0.5	0.7	1.0	2.4	4.7

## 8. Type overview

