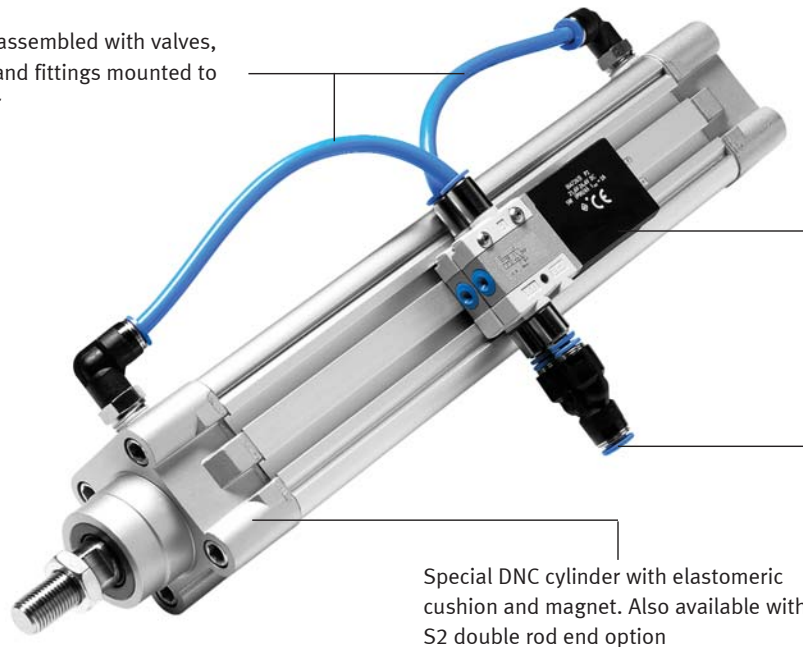


# Tel:02133988511

## Fast Switching Cylinder/Valve Combinations Type DNC-MH

# FESTO

Comes assembled with valves,  
tubing and fittings mounted to  
cylinder



(2) Normally closed MHE2 or MHE3,  
3/2, high speed switching valves

Single supply connection

Special DNC cylinder with elastomeric  
cushion and magnet. Also available with  
S2 double rod end option

### Product

Double Acting Cylinder/Valve  
combination optimized for fast  
and repeatable cycle times

### Features

- Valves, fittings, and tubing preassembled to cylinder
- Simple installation, requiring only a single pneumatic connection
- High temperature cylinder construction allows for high speed operation
- Valve features: integrated electronic, balanced poppet enables high repeatability

### Benefits

- Fast, highly repeatable valves offer increased throughput, providing higher productivity and profitability
- Competitive price, long life operation, and increased throughput, deliver high value
- The preassembled unit simplifies and reduces installation time, providing additional cost savings

### Typical Applications

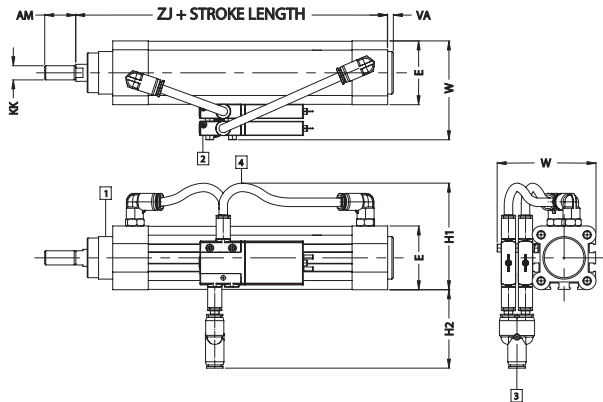
- Material handling equipment:
  - sorting conveyors
  - pusher stations
- Food processing and packaging:
  - diverter gates
  - end-of-line reject stations
- Injection molding equipment:
  - part removal

SA 231742

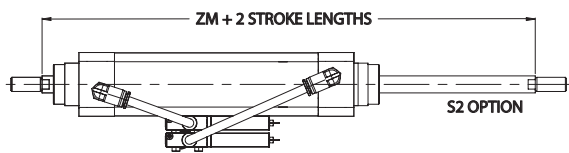
Special Application Products

## Technical Data

### Single Rod End Cylinder

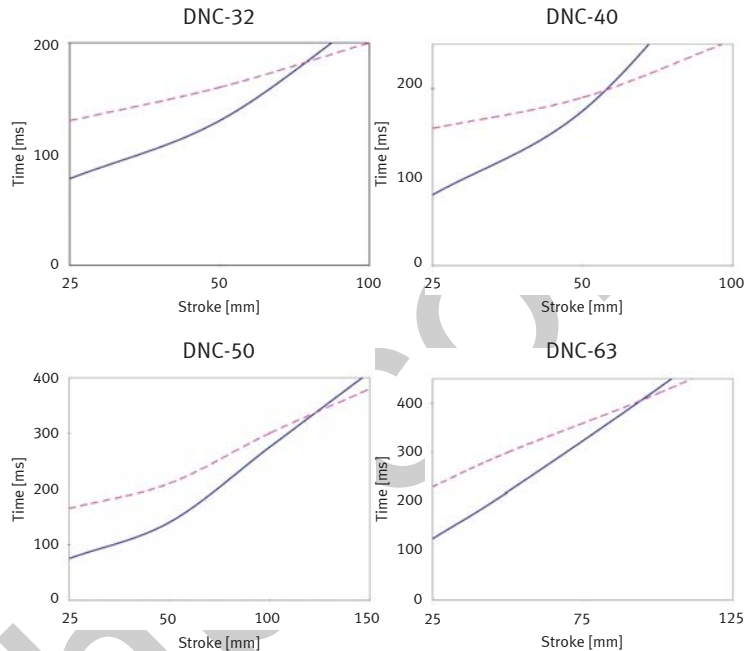


### Double Rod End Cylinder (option)



- 1 Standard cylinder
- 2 Standard Valve
- 3 Air supply connection
- 4 Interconnecting tubing

### Performance Data\*



— DNC-MH - combination special DNC cylinder with MHE2 or MHE3 valves  
 - - - Standard DNC cylinder with CPE valve

\* Results based on a single rod end cylinder performing one complete cycle, extend and retract

### Single Rod End Cylinder

Piston Ø	1 Standard Cylinder	2 Standard Valve	3,4 Tubing OD (mm)	Recommended Stroke (mm)	AM	E	H1	H2	KK	VA	W	ZJ	Part Number
32	DNC-32-X-P-A-S6	MHE2-MS1H-3/2G-M7	6	30-75	22	45	~80	~60	M10x1.25	4	75	120	<b>13039082</b>
40	DNC-40-X-P-A-S6	MHE3-MS1H-3/2G-1/8		30-60	24	54	~90	~60			M16x1.5	84	135
50	DNC-50-X-P-A-S6		8	40-125	32	64	~110	~65	104			143	<b>13039084</b>
63	DNC-63-X-P-A-S6	40-100		32	75	~120	~40	115	158		<b>13039085</b>		

### Double Rod End Cylinder (option)

Piston Ø	1 Standard Cylinder	2 Standard Valve	3,4 Tubing OD (mm)	Recommended Stroke (mm)	AM	E	H1	H2	KK	W	ZM	Part Number
32	DNC-32-X-P-A-S2-S6	MHE2-MS1H-3/2G-M7	6	30-75	22	45	~80	~60	M10x1.25	75	148	<b>13039086</b>
40	DNC-40-X-P-A-S2-S6	MHE3-MS1H-3/2G-1/8		30-60	24	54	~90	~60		M16x1.5	84	167
50	DNC-50-X-P-A-S2-S6		8	40-125	32	64	~110	~65	M16x1.5		104	183
63	DNC-63-X-P-A-S2-S6	40-100		32	75	~120	~40	115		199	<b>13039089</b>	

All dimensions in millimeters

### SA Mission Statement

If standard products don't solve the problem, Festo's Special Applications (SA) department will work to devise a customized solution optimized for price and performance.

Special Applications or customized solutions to meet customer requirements are produced in continuous dialogue, for which we have the necessary infrastructure in place. Our SA department will work with you to develop the right solution, whether the SA is a small change to a standard product or a totally custom designed product.

Jointly developed individual solutions create competitive advantages for Festo customers. Moreover, reinforcing trust and developing high quality innovations foster a unique partnership. This ultimately creates success for the customer.

For ordering and product assistance, or to find your nearest Festo Distributor in the USA,

**Call:** 1.800.99.FESTO  
**Fax:** 1.800.96.FESTO  
**E-mail:** customerservice@us.festo.com  
**Visit:** www.festo.com/us